

BCR
EUROPE
BCR EUROPE LUXURY TRADING S.L.

RELOJES DE PULSERA PERSONALIZADOS



www.bcreurope.es

Ariel

DIGITALE
DIGITAL

Cassa: plastica - **Impermeabilità:** 5ATM - **Movimento:** digitale
Vetro: plastica - **Cinturino:** gomma, 20/16 mm - **Fondello:** acciaio con viti
Dimensioni cassa: 46,5 x 49 mm - **Spessore Cassa:** 13,5 mm

*Case: plastic - Water resistant: 5ATM - Movement: digital
Glass: plastic - Strap: rubber, 20/16 mm - Caseback: stainless steel with screws
Case dimensions: 46,5 x 49 mm - Case thickness: 13,5 mm*



DH9556WHP



DH9556WHP



Energy

DIGITALE
DIGITAL

Orologio / Bracciale: silicone - Movimento: LCD digitale
Dimensioni: 16 mm (larghezza cassa), 16 cm (circonferenza interna bracciale)

Watch / Bracelet: *silicone rubber* - Movement: *LCD digital*
Dimensions: 16 mm (case width), 16 cm (inner circumference band)



DH0469RSP



DH0469VLP



DH0469YEP



DH0475WHP



DH0475GEP



DH0475CEP



DH0475RSP

Fitness Lady

DIGITALE
DIGITAL



DH9563BKP



DH9563BKP

Cassa: plastica - **Impermeabilità:** 5 ATM
Vetro: plastica - **Fondello:** acciaio con viti
Dimensioni cassa: 36,5 x 45 mm - **Spessore Cassa:** 14,5 mm - **Movimento:** digitale
Funzioni: ora, datario, allarme, cronografo, luce, calorie, indicatore del ritmo
Cinturino: gomma, 19/13 mm - **Fibbia:** acciaio con ardiglione

Case: plastic - **Water resistant:** 5 ATM
Glass: plastic - **Caseback:** stainless steel with screws
Case dimensions: 36,5 x 45 mm - **Case thickness:** 14,5 mm - **Movement:** digital
Function: time, date, alarm, chronograph, light, calorie, pace
Strap: rubber, 19/13 mm - **Buckle:** stainless steel with tongue

Flashback

DIGITALE
DIGITAL

Cassa: plastica - **Movimento:** digitale - **Vetro:** plastica
Cinturino: gomma, 22/17,5 mm - **Fondello:** acciaio con viti
Dimensioni cassa: 36 x 43 mm - **Spessore cassa:** 10 mm

Case: plastic - *Movement:* digital - *Glass:* plastic
Strap: rubber, 22/17,5 mm - *Caseback:* stainless steel with screws
Case dimensions: 36 x 43 mm - *Case thickness:* 10 mm



DH9574VLP



DH9574GEP



DH9574VLP

Funkytown

DIGITALE
DIGITAL



DH9595VLP



DH9595FXP



DH9595BLP



DH9595ORP

Cassa: plastica - **Impermeabilità:** 5 ATM
Vetro: plastica - **Fondello:** acciaio con viti
Dimensioni cassa: 47,2 x 49 mm - **Spessore Cassa:** 15 mm - **Movimento:** digitale
Funzioni: ore, minuti, secondi, cronografo, sveglia, luce, segnale orario
Cinturino: gomma, 24/20 mm - **Fibbia:** acciaio con ardiglione

Case: plastic - Water resistant: 5 ATM
Glass: mineral - Caseback: stainless steel with screws
Case dimensions: 47,2 x 49 mm - Case thickness: 15 mm - Movement: digital
Functions: time, date, alarm, chronograph, light, digital compass
Strap: silicon rubber, 24/20 mm - Buckle: stainless steel with tongue

Jimmy

DIGITALE
DIGITAL

Cassa: plastica - **Impermeabilità:** 5ATM - **Movimento:** digitale
Vetro: plastica - **Cinturino:** gomma, 20/16 mm - **Fondello:** acciaio con viti
Dimensioni cassa: 46,5 x 49 mm - **Spessore Cassa:** 13,5 mm

*Case: plastic - Water resistant: 5ATM - Movement: digital
Glass: plastic - Strap: rubber, 20/16 mm - Caseback: stainless steel with screws
Case dimensions: 46,5 x 49 mm - Case thickness: 13,5 mm*



DH9554WHP



DH9554BKP



DH9554BKP

Marathon

DIGITALE
DIGITAL



DH9564BKP



DH9564CEP



MODALITÀ PEDOMETRO - PEDOMETER MODE

Cassa: plastica - **Impermeabilità:** 5 ATM
Vetro: plastica - **Fondello:** acciaio con viti
Dimensioni cassa: 36 x 37,5 mm - **Spessore Cassa:** 14,5 mm - **Movimento:** digitale
Funzioni: ora, datario, allarme, cronografo, luce, calorie, km percorsi, velocità media, tempo di esercizio - **Cinturino:** gomma, 28/16 mm - **Fibbia:** acciaio con ardiglione

Case: plastic - **Water resistant:** 5 ATM
Glass: plastic - **Caseback:** stainless steel with screws
Case dimensions: 36 x 37,5 mm - **Case thickness:** 14,5 mm - **Movement:** digital
Functions: time, date, alarm, chronograph, light, calorie, distance, speed, exercise
Strap: rubber, 28/16 mm - **Buckle:** stainless steel with tongue

Poppys

DIGITALE
DIGITAL

Orologio / Anello: silicone - **Movimento:** LCD digitale
Vetro: plastica - **Diametro interno anello:** 17 mm - **Diametro cassa:** 32 mm
Spessore Cassa: 15,5 mm

Watch / Ring: silicone rubber - **Movement:** LCD digital
Glass: plastic - **Ring internal diameter:** 17 mm - **Case diameter:** 32 mm
Case thickness: 15,5 mm



DH0550WH



DH0550BK



DH0550GD



DH0550VL



DH0550YE



DH0550RD



DH0550FX



DH0550CY

Alchimia



Case
Acetate

Caseback
Acetate

Glass
Mineral

Crown
Stainless steel

Dial
With applied indexes



Diameter 39 mm
Thickness 10,5 mm



Movement
Miyota2315



Water Resistant
5 ATM



Strap
Acetate, 25/20 mm

Buckle
Stainless steel, butterfly



PLASTIC



AC0522MOPBK



AC0522MOPRS



AC0522WHPCR



AC0522WHPLI



AC0522GDP



AC0522WHP

Aviano

GENT QUARTZ



Case

Soft touch plastic,
metal IPBlack, fixed top
ring with painting

Caseback

Snap type, stainless steel

Glass

Mineral

Crown

Stainless steel,
IPBlack polished finishing



Diameter 43,5 mm

Thickness 13,25 mm



Movement

Miyota 2035



Water Resistant

3 ATM



Strap

Silicone rubber, 22/18 mm

Buckle

Stainless steel, IPBlack
coating with tongue



PH9066BKP01

Beverly Hills

PLASTIC



Case
Plastic

Caseback
Stainless steel with screw

Glass
Mineral

Crown
Stainless steel



Diameter 41,5 x 50,5 mm
Thickness 11 mm



Movement
Miyota 7T35



Water Resistant
5 ATM



Strap
Rubber, 28/20 mm
Buckle
Stainless steel with tongue



PH9594FXP



PH9594YEP



PH9594CEP02

Bilbao



Case
Plastic

Caseback
Stainless steel, with screws

Glass
Mineral

Crown
Stainless steel



Diameter 38 x 41,5 mm
Thickness 11 mm



Movement
Miyota 2035



Water Resistant
10 ATM



Strap
Silicone rubber, 30/22 mm

Buckle
Stainless steel with tongue



PH9598RDP



PH9598WHP03



PH9598VLP



PH9598GEP



PH9598YEP

PLASTIC

College flag

PLASTICA
PLASTIC

Cassa: ABS · **Impermeabilità:** 5ATM · **Movimento:** TMI PC21 · **Vetro:** plastica
Cinturino: silicone, 23/22 mm · **Fondello:** a pressione, in acciaio
Dimensioni cassa: 42,5 x 50 mm · **Spessore cassa:** 14,6 mm

Case: ABS · **Water resistant:** 5ATM · **Movement:** TMI PC21 · **Glass:** plastic
Strap: silicone rubber, 23/22 mm · **Caseback:** snap type, stainless steel
Case dimensions: 42,5 x 50 mm · **Case thickness:** 14,6 mm



PH9586BRAYE



PH9586ESPRD



PH9586BRAYE

College New



Plastica
Plastic

Cassa: plastica con ghiera girevole - **Impermeabilità:** 5 ATM
Vetro: plastica - **Corona:** acciaio - **Fondello:** acciaio a pressione
Diametro cassa: 42,5 x 42,5 mm - **Spessore Cassa:** 14,6 mm - **Movimento:** Miyota 2035
Cinturino: silicone, 23/22 mm - **Fibbia:** acciaio con ardiglione

Case: plastic with turnable ring - **Water resistant:** 5 ATM
Glass: plastic - **Crown:** stainless steel - **Caseback:** snap type stainless steel
Case diameter: 42,5 x 42,5 mm - **Case thickness:** 14,6 mm - **Movement:** Miyota 2035
Strap: silicon rubber, 23/22 mm - **Buckle:** stainless steel with tongue



PH9586YEP



PH9586YEP



Electro

CRONOGRAFI UOMO
GENT CHRONOGRAPHS

Cassa: plastica - Movimento: TMI VD53 - Vetro: plastica
Bracciale: plastica, 19/17 mm - Fondello: a pressione in acciaio
Diametro cassa: 39 mm - Spessore Cassa: 13 mm

Case: plastic - Movement: TMI VD53 - Glass: plastic
Bracelet: plastic, 19/17 mm - Caseback: snap type, stainless steel
Case diameter: 39 mm - Case thickness: 13 mm

Girare per sbloccare i pulsanti
Turn to unlock the button



PH9561BKP09



PH9561BKP03



PH9561BKP09

Glossy

PLASTICA
PLASTIC

Bangle: Plastica - Movimento: Miyota 2035
Vetro: minerale - Fondello: a pressione in acciaio
Larghezza bangle: 47 mm - Spessore Cassa: 14 mm

Bangle: Plastic - Movement: Miyota 2035
Glass: mineral - Caseback: snap type, stainless steel
Bangle width: 47 mm - Case thickness: 14 mm



PH0399YEP



PH0399BKP



PH0399YEP



PH0399VLP

Happy

PLASTICA
PLASTIC

Cassa: plastica - **Movimento:** TMI PC21 - **Vetro:** plastica
Cinturino: silicone, 48/30 mm - **Fondello:** acciaio con viti
Dimensioni cassa: 48,5 x 38 mm - **Spessore cassa:** 12 mm

Case: plastic - Movement: TMI PC21
Band: silicone rubber, 48/30 mm - Caseback: stainless steel with screws
Case dimensions: 48,5 x 38 mm - Case thickness: 12 mm



PH9599BLP



PH9599BLP

Ibiza

PLASTICA

PLASTIC

policarbonato

polycarbonate

Cassa: plastica · **Impermeabilità:** 5 ATM · **Movimento:** TMI PC21
Funzioni: ore, minuti, secondi · **Vetro:** minerale · **Cinturino:** silicone, 32/20 mm
Fondello: a pressione in acciaio
Diametro cassa: 41,5 mm · **Spessore Cassa:** 12,8 mm

*Case: plastic · Water resistant: 5 ATM · Movement: TMI PC21
Functions: hours, minutes, seconds · Glass: mineral · Band: silicone rubber, 32/20 mm
Caseback: snap type, stainless steel
Case diameter: 41,5 mm · Case thickness: 12,8 mm*



PH9601BKP



PH9601BKP

Lika

PLASTICA
PLASTIC

Cassa: plastica - **Movimento:** Miyota 2035
Vetro: plastica - **Fondello:** acciaio con viti
Dimensioni cassa: 40 x 40 mm - **Spessore cassa:** 10 mm

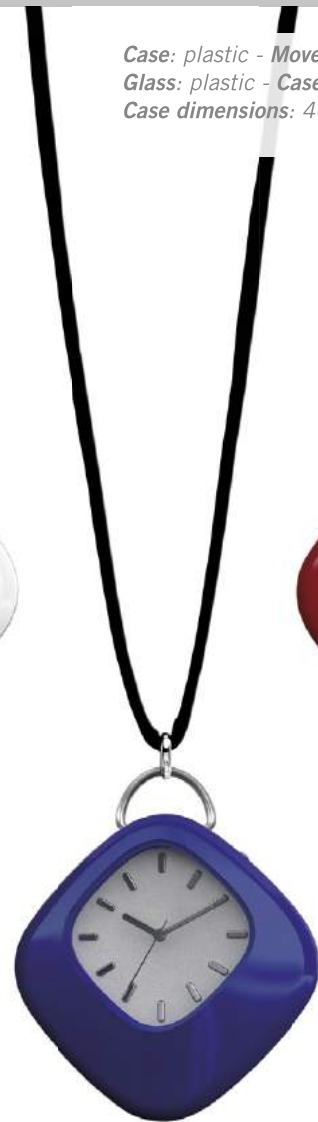
*Case: plastic - Movement: Miyota 2035
Glass: plastic - Caseback: stainless steel with screws
Case dimensions: 40 x 40 mm - Case thickness: 10 mm*



PH0467VL



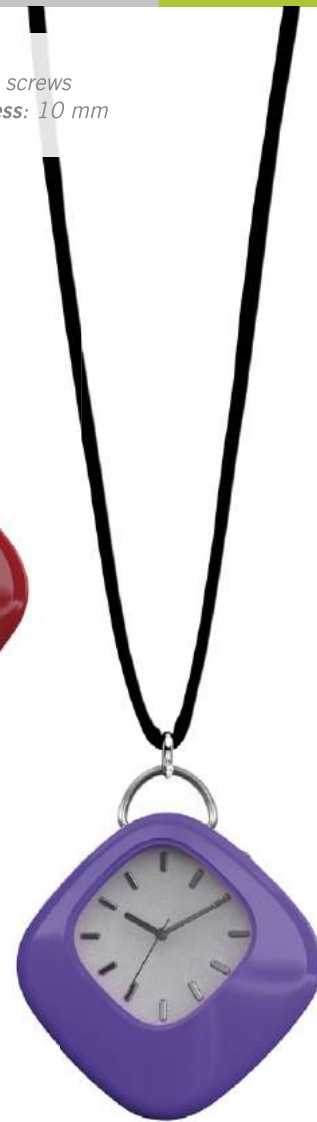
PH0467WH



PH0467BL



PH0467RD



PH0467VL

Lipari



Case

Plastic

Caseback

Snap type, stainless steel

Glass

Mineral

Crown

Stainless steel



Diameter 41 mm

Thickness 11 mm



Movement

Miyota 2035



Water Resistant

3 ATM



Strap

Silicon rubber, 30/18 mm

Buckle

Stainless steel with tongue



PH0733WHP

PLASTIC

Marco Polo

PLASTICA
PLASTIC

Cassa: policarbonato con ghiera fissa in acciaio e alluminio - **Movimento:** Miyota 2115
Vetro: minerale - **Bracelet:** policarbonato, 22/20 mm - **Fondello:** a pressione in acciaio
Diametro cassa: 44 mm - **Spessore Cassa:** 14,5 mm

*Case: polycarbonate with fixed stainless steel and aluminium ring - Movement: Miyota 2115
Glass: mineral - Bracelet: polycarbonate, 22/20 mm - Caseback: snap type, stainless steel
Case diameter: 44 mm - Case thickness: 14,5 mm*



PH9338BKP02



PH9338BKP02



PH9338BKP03



PH9338RDP



Marco Polo chrono

CRONOGRAFI UOMO
GENT CHRONOGRAPHS

Cassa: policarbonato con ghiera fissa in acciaio e alluminio - **Movimento:** Miyota OS20
Vetro: minerale - **Bracciale:** policarbonato, 22/20 mm - **Fondello:** a pressione in acciaio
Diametro cassa: 44 mm - **Spessore Cassa:** 14,5 mm

Case: polycarbonate with fixed stainless steel and aluminium ring - *Movement:* Miyota OS20
Glass: mineral - *Bracelet:* polycarbonate, 22/20 mm - *Caseback:* snap type, stainless steel
Case diameter: 44 mm - *Case thickness:* 14,5 mm



PH9339BLP



PH9339BLP



Montana

PLASTICA

PLASTIC

policarbonato

polycarbonate

Cassa: policarbonato con ghiera girevole in plastica e alluminio
Impermeabilità: 3ATM · **Movimento:** TMI PC32 · **Funzioni:** ore, minuti, secondi, datario
Vetro: minerale · **Cinturino:** tessuto, 20 mm · **Fondello:** a pressione in acciaio
Diametro cassa: 39 mm · **Spessore Cassa:** 12,5 mm

Case: polycarbonate with turnable plastic and aluminium ring · **Water resistant:** 3ATM
Movement: TMI PC32 · **Functions:** hours, minutes, seconds, date window
Glass: mineral · **Strap:** nylon, 20 mm · **Caseback:** snap type, stainless steel
Case diameter: 39 mm · **Case thickness:** 12,5 mm



PH9407BKT



PH9407BKT

Movida

PLASTICA
PLASTIC



9772PE3RBKWH1 9772PE3RBKWH2 9772PE3RBLWH1 9772PE3RBLWH2



9772PE3RRDWH1 9772PE3RRDWH2 9772PE3RCRWH1 9772PE3RCRWH2

Cassa: plastica - **Impermeabilità:** 5 ATM
Vetro: minerale - **Corona:** acciaio - **Fondello:** acciaio a pressione
Diametro cassa: 31,5 mm - **Spessore Cassa:** 9,8 mm - **Movimento:** TMI PC21
Cinturino: silicone, 16 mm - **Fibbia:** acciaio con ardiglione

Case: plastic - **Water resistant:** 5 ATM
Glass: mineral - **Crown:** stainless steel - **Caseback:** snap type, stainless steel
Case diameter: 31,5 mm - **Case thickness:** 9,8 mm - **Movement:** TMI PC21
Strap: silicon rubber, 16 mm - **Buckle:** stainless steel with tongue

Nippo

Plastica
Plastic

Cassa: plastica - **Vetro:** plastica

Corona: acciaio - **Fondello:** acciaio a pressione

Diametro cassa: 45 x 45 mm - **Spessore Cassa:** 14 mm

Cinturino: silicone, 27/20 mm - **Fibbia:** acciaio con ardiglione

Case: plastic - Glass: plastic

Crown: stainless steel - Caseback: snap type stainless steel

Case diameter: 45 x 45 mm - Case thickness: 14 mm

Band: silicone rubber, 27/20mm - Buckle: stainless steel with tongue



PH9630RSP



PH9630VLP



PH9630RSP

Noemi

PLASTICA
PLASTIC

Cassa: plastica con ghiera fissa con cristalli - Movimento: TMI PC21S
Vetro: minerale - Bracciale: plastica, 20/18 mm - Fondello: a pressione in acciaio
Diametro cassa: 36 mm - Spessore Cassa: 12,5 mm

*Case: plastic with fixed ring with crystals - Movement: TMI PC21S
Glass: mineral - Bracelet: plastic, 20/18 mm - Caseback: snap type, stainless steel
Case diameter: 36 mm - Case thickness: 12,5 mm*



PH0544ORP



PH0544CEP



PH0544ORP

Rimini

PLASTICA
PLASTIC



PH9065BKPBK



PH9065SLPBL



PH9065SLPFX



PH9065SLPYE



PH9065SLPRD



PH9065SLPTQ



PH9065SLPWH

Cassa: silicone - **Impermeabilità:** 3 ATM
Vetro: minerale - **Corona:** acciaio - **Fondello:** acciaio a pressione
Diametro cassa: 40,7 mm - **Spessore Cassa:** 9,2 mm - **Movimento:** TMI PC21
Cinturino: silicone, 18 mm - **Fibbia:** acciaio con ardiglione

***Case:** silicon rubber - **Water resistant:** 3 ATM
Glass: mineral - **Crown:** stainless steel - **Caseback:** snap type stainless steel
Case diameter: 40,7 mm - **Case thickness:** 9,2 mm - **Movement:** TMI PC21
Strap: silicon rubber, 18 mm - **Buckle:** stainless steel with tongue*



PH9067BKP01



PH9067WHP01



PH9067WHP

Cassa: plastica soft touch con ghiera in metallo - **Impermeabilità:** 3 ATM - **Vetro:** minerale
Corona: acciaio - **Pulsanti:** acciaio - **Fondello:** acciaio a pressione
Diametro cassa: 43,5 mm - **Spessore Cassa:** 12,5 mm - **Movimento:** TMI VD53 e Miyota JS25
Cinturino: silicone, 22/18 mm - **Fibbia:** acciaio più ardiglione

***Case:** plastic soft touch with alloy toping - **Water resistant:** 3 ATM - **Glass:** mineral
Crown: stainless steel - **Pushers:** stainless steel - **Caseback:** snap type stainless steel
Case diameter: 43,5 mm - **Case thickness:** 12,5 mm - **Movement:** TMI VD53 and Miyota JS25
Strap: rubber, 22/18 mm - **Buckle:** stainless steel with tongue*

Square

PLASTICA
PLASTIC

Cassa: policarbonato - **Movimento:** Seiko Y121E, Miyota 6L45
Vetro: minerale - **Cinturino:** gomma, 22/20 mm - **Fondello:** a pressione in acciaio
Dimensioni cassa: 38,5 x 38,5 mm - **Spessore Cassa:** 11,7 mm

*Case: polycarbonate - Movement: Seiko Y121E, Miyota 6L45
Glass: mineral - Strap: rubber, 22/20 mm - Caseback: snap type, stainless steel
Case dimensions: 38,5 x 38,5 mm - Case thickness: 11,7 mm*



PH0296IVP03



PH9517BKP



PH9517BKP05



PH9517BKP06



PH0296IVP03



PH0296IVP02



Star

PLASTICA

PLASTIC

gomma

rubber

Cassa: plastica · **Impermeabilità:** 5 ATM · **Movimento:** Miyota 2039
Funzioni: ore, minuti, secondi · **Vetro:** minerale · **Cinturino:** silicone, 32/20 mm
Fondello: a pressione in acciaio
Diametro cassa: 41,5 mm · **Spessore Cassa:** 12,8 mm

*Case: plastic · Water resistant: 5 ATM · Movement: Miyota 2039
Functions: hours, minutes, seconds · Glass: mineral · Band: silicone rubber, 32/20 mm
Caseback: snap type, stainless steel
Case diameter: 41,5 mm · Case thickness: 12,8 mm*



PH9615STP03



PH9615STP03

Summer



Case
Plastic with turnable ring
Caseback
Snap type stainless steel
Glass
Mineral
Crown
Stainless steel



Diameter 39 mm
Thickness 12 mm



Movement
Miyota 2035



Water Resistant
5 ATM



Strap
Silicone rubber, 20 mm
Buckle
Stainless steel with tongue



9806PU3RWHWH



9806PU3RBKBK



9806PU3RBLBL



9806PU3RRDRD

PLASTIC

Astro



Case

Stainless steel, IPBlack, polished and brushed finishing

Caseback

Screw type, stainless steel

Glass

Mineral

Crown

Stainless steel

Pushers

Stainless steel

Dial

Two levels with applied indexes



Diameter 42 mm

Thickness 10 mm



Movement

Solar Epson VR42B



Water Resistant

5 ATM



Strap

Padded leather, 20/18 mm

Buckle

Stainless steel with tongue



SH5676SLLBKSE



SH5677BKLKSE



SH5676BLLBLE



ECO-FRIENDLY

Grifone solare

ECO-FRIENDLY



Case

Stainless steel, IP matt finishing with o-ring in the top ring

Caseback

Screw type, stainless steel

Glass

Mineral

Crown

Stainless steel, IPBlack

Pushers

Stainless steel

Dial

Three levels with applied indexes



Diameter 44,5 mm

Thickness 11,5 mm



Movement

Solar Epson VR42B



Water Resistant

5 ATM



Strap

Silicone rubber, 26/20 mm

Buckle

Stainless steel with tongue, IP Black



SH5678WHPSE



SH5678BKPSE

Alluit Chrono

GENT CHRONOGRAPHS



Case
Colored aluminium
Caseback
Snap type, stainless steel
Glass
Mineral
Crown
Colored aluminium
Dial
Applied indexes
Pushers
Colored aluminium



Diameter 39 mm
Thickness 13 mm



Movement
Miyota OS20



Water Resistant
5 ATM



Strap
Colored aluminium,
20/16 mm
Buckle
Stainless steel, deployante



AL9610BRA



AL9610GEA



AL9610RDA

Ancona

CHRONOGRAPHS



Case

Stainless steel, polished and brushed finishing, with turnable ring with aluminium insert

Caseback

Screw type stainless steel

Glass

Mineral

Crown

Stainless steel

Pushers

Stainless steel

Dial

Guilloché finishing with applied counters



Diameter 43 mm

Thickness 14 mm



Movement

Miyota 0S10



Water Resistant

10 ATM



Bracelet

Solid stainless steel with polished and brushed finishing, 22/20 mm

Buckle

Stainless steel, deployante



SH9081BLS



SH9081BKS



Black Army Chrono

CHRONOGRAPHS



Case

Stainless steel, IP black coating with satined finishing

Caseback

Screw-type, stainless steel

Glass

Mineral

Crown

Stainless steel, IP black coating with satined finishing

Pusher

Stainless steel, IP black coating with satined finishing



Diameter 43 mm
Thickness 12 mm



Movement
TMI VD53



Water Resistant
5 ATM



Strap
Rubber, 22/20 mm

Buckle

Stainless steel with tongue, IP black coating with satined finishing



SH9583RDP



SH9583YEP

Bologna

ECO-FRIENDLY



Case

Titanium

Caseback

Titanium with glass

Glass

Mineral

Crown & Pushers

Titanium

Dial

Two levels with applied indexes



Diameter 43 mm

Thickness 16 mm



Movement

Epson VR42, Solar chrono

Water Resistant

5 ATM



Bracelet

Titanium with Titanium
deployante, 22/20 mm



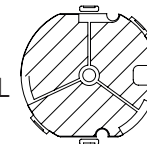
TH5706BLTISE



TH5706BKTISE



ECO-FRIENDLY WATCH:
SOLAR PANEL IN THE DIAL



Capri



Case
Stainless steel,
polished finishing
Caseback
Screw type stainless steel

Glass
Mineral

Crown
Stainless steel

Pushers
Stainless steel

Dial
Two levels
with applied indexes



Diameter 43 mm
Thickness 11,6 mm



Movement
Seiko VK68



Water Resistant
5 ATM



Strap
Leather, padded, 22/18 mm
Buckle
Stainless steel with tongue



SH5619BLLBR



SH5619BKLBK

Centauro



Case

Stainless steel, polished and brushed finishing, toping IP Black polished finishing

Caseback

Screw type stainless steel

Glass

Mineral

Crown

Screw type stainless steel (unscrew to unlock)

Pushers

Stainless steel and aluminium

Dial

Two levels with applied indexes



Diameter 45 mm

Thickness 15,5 mm



Movement

TMI VK 67



Water Resistant

5 ATM



Strap

Leather, with S/S buckle with tongue, 22/20 mm

Bracelet

Solid stainless steel with polished and brushed finishing, deployante



SH9101BKS



SH9101SLS



SH9101SLSBL



Cobra



Case

Stainless steel with polished and brushed finishing

Caseback

Screw type stainless steel

Glass

Mineral

Crown

Stainless steel

Dial

Inner ring, with applied indexes

Pushers

Stainless steel



Diameter 43 mm

Thickness 12 mm



Movement

Miyota JS25



Water Resistant

5 ATM



Strap

Rubber, 22/20 mm

Buckle

Stainless steel with tongue



9780SSCRBKSL



9780SSCRBKBK

CHRONOGRAPHS

Estoril chrono

STEEL  100 m

Cronografi Uomo
Gent Chronographs

Cassa: acciaio finitura lucida - **Impermeabilità:** 10 ATM - **Vetro:** minerale
Corona: acciaio - **Pulsanti:** acciaio - **Fondello:** acciaio a vite
Diametro cassa: 44 mm - **Spessore Cassa:** 12,5 mm - **Movimento:** Miyota JS25
Quadrante: su due livelli, finitura guilloché - **Cinturino:** gomma, 24/22 mm
Fibbia: acciaio più ardiglione

Case: stainless steel with polished finishing - *Water resistant:* 10 ATM - *Glass:* mineral
Crown: stainless steel - *Pushers:* stainless steel - *Caseback:* screw type stainless steel
Case diameter: 44 mm - *Case thickness:* 12,5 mm - *Movement:* Miyota JS25
Dial: two levels with guilloché finishing - *Strap:* rubber, 24/22 mm
Buckle: stainless steel with tongue



SH9541SLP



SH9541SLP

Fiorano

CHRONOGRAPHS



Case

Metal matt black finishing

Caseback

Snap type stainless steel

Glass

Mineral

Crown

Stainless steel, IPBlack with o-ring

Pushers

Stainless steel, IPBlack



Diameter 44 mm

Thickness 13 mm



Movement

TMI VD53



Water Resistant

5 ATM



Strap

Silicone rubber, 24/22 mm

Buckle

Stainless steel with tongue



AH9108BKP



AH9108WHP

Fox chrono

QUARZO UOMO

GENT QUARTZ

acciaio

stainless steel

Cassa: acciaio · **Impermeabilità:** 5ATM · **Movimento:** Miyota OS20
Funzioni: ore, minuti, secondi piccoli, datario, cronografo, 24H
Vetro: minerale · **Cinturino:** pelle, 24/22 mm · **Fondello:** a vite in acciaio
Dimensioni Cassa: 42,5 x 51 mm · **Spessore Cassa:** 14 mm

Case: stainless steel · **Water resistant:** 5ATM · **Movement:** Miyota OS20
Functions: hours, minutes, small seconds, date window, chronograph, 24H
Glass: mineral · **Strap:** leather, 24/22 mm · **Caseback:** screw-type, stainless steel
Case dimensions: 42,5 x 51 mm · **Case thickness:** 14 mm



SH9435SLL



SH9435SLL

Genova

QUARZO UOMO
GENT QUARTZ

Cassa: metallo - **Movimento:** Epson AL21E/7 - **Vetro:** minerale
Bracciale: acciaio, 20/18 mm - **Fondello:** a pressione in acciaio
Diametro Cassa: 42 mm - **Spessore Cassa:** 10,5 mm

Case: stainless steel - *Movement:* Epson AL21E/7 - *Glass:* mineral
Bracelet: stainless steel, 20/18 mm - *Caseback:* snap type, stainless steel
Case diameter: 42 mm - *Case thickness:* 10,5 mm



AH9001BKS



AH9001WHS



AH9001BKS

Grifone Chrono

CHRONOGRAPHS



Case

Stainless steel, IP matt finishing with o-ring in the top ring

Caseback

Screw type, stainless steel

Glass

Mineral

Crown

Stainless steel

Pushers

Stainless steel

Dial

Three levels with applied indexes and 3D plastic inner ring



Diameter 44,5 mm

Thickness 11,5 mm



Movement

TMI VK64



Water Resistant

5 ATM



Strap

Silicone rubber, 26/20 mm

Buckle

Stainless steel with tongue



SH5096BKP



SH5096WHP



Gulliver chrono

GENT QUARTZ



Case
Metal

Caseback
Snap type stainless steel

Glass
Mineral

Crown/pushers
Stainless steel



Diameter 40 mm
Thickness 10 mm



Movement
TMI VD54



Water Resistant
3 ATM



Strap
Nato, nylon, 20 mm
Buckle
Stainless steel with tongue



AH1476YEL1



AH1476RDL1

Imperia



Case

Stainless steel, polished and brushed finishing

Caseback

Screw type, stainless steel

Glass

Mineral

Crown

Screw type stainless steel (unscrew to unlock)

Pushers

Stainless steel and aluminium

Dial

Three levels with different finishing



Diameter 45 mm

Thickness 15,5 mm



Movement

TMI VK67



Water Resistant

5 ATM



Strap

Leather, curved, 22/20 mm;
Silicone rubber, 22/20 mm

Buckle

Stainless steel with tongue



SH5616BKLBK



SH5617BKPRD



Levante

CHRONOGRAPHS



Case
Stainless steel
Caseback
Screw-type, stainless steel

Glass
Mineral

Crown
Stainless steel

Dial
With inner ring



Diameter 42,5 mm
Thickness 12 mm



Movement
Miyota OS21



Water Resistant
5 ATM



Strap
Italian leather 22/20 mm
Buckle
Stainless steel with tongue



SH56145LLBK

Milano



Case
Stainless steel,
polished finishing
Caseback
Screw type stainless steel

Glass
Mineral
Crown
Stainless steel
Pushers
Stainless steel

Dial
With inner ring



Diameter 43 mm
Thickness 11,6 mm



Movement
Miyota 0S11



Water Resistant
5 ATM



Strap
Leather, padded, with
croco pattern, 22/20 mm
Buckle
Stainless steel with tongue



SH5013BKLBK



SH5013ILL01



SH5013ILL02



Modena

CHRONOGRAPHS



Case

Stainless steel, IP black matt finishing, toping with IPBlack polished finishing

Caseback

Screw type, stainless steel

Glass

Mineral

Crown

Stainless steel, IP black coating polished finishing, with O-ring

Pushers

Stainless steel, IP black coating matt

Dial

Two levels



Diameter 47,7 mm

Thickness 12,9 mm



Movement

TMI VK64



Water Resistant

5 ATM



Strap

Leather, 24/22 mm

Buckle

Stainless steel with tongue, IP black coating matt finishing



SH9106BKLBK



SH9106WHLBK



Montecarlo



Case

Stainless steel, polished and brushed finishing with fixed polished S/S IPBlack topping

Caseback

Screw type stainless steel

Glass

Mineral

Crown

Stainless steel

Pushers

Stainless steel

Dial

With applied indexes



Diameter 42 mm

Thickness 14,5 mm



Movement

Epson YM12



Water Resistant

5 ATM



Bracelet

Stainless steel, brushed and polished finishing, 22/20 mm

Buckle

Solid stainless steel, deployante



SH5662BLS

Montreal

CRONOGRAFI UOMO
GENT CHRONOGRAPHS

Cassa: acciaio - **Movimento:** Miyota OS21 - **Vetro:** minerale
Cinturino: pelle, 22/20 mm - **Fondello:** a vite in acciaio
Dimensioni Cassa: 43 x 51 mm - **Spessore Cassa:** 12 mm

*Case: stainless steel - Movement: Miyota OS21 - Glass: mineral
Strap: leather, 22/20 mm - Caseback: screw type, stainless steel
Case dimensions: 43 x 51 mm - Case thickness: 12 mm*



SH9549SLL



SH9549SLL



SH9547BKL

Norrington chrono

CRONOGRAFI UOMO
GENT CHRONOGRAPHS

Cassa: metallo - **Movimento:** TMI VD53 - **Vetro:** minerale
Cinturino: gomma, 22/20 mm - **Fondello:** a pressione in acciaio
Diametro Cassa: 41,8 mm - **Spessore Cassa:** 14,5 mm

*Case: metal - Movement: TMI VD53 - Glass: mineral
Strap: rubber, 22/20 mm - Caseback: snap type, stainless steel
Case diameter: 41,8 mm - Case thickness: 14,5 mm*



AH1462SLP



AH1462SLP



AH1462BKP



AH1462RDP

Oscar

QUARZO UOMO
GENT QUARTZ

Cassa : acciaio - Movimento: Miyota FS01 - Vetro: minerale
Cinturino: pelle, 30/24mm - Fondello: a pressione in acciaio
Dimensioni cassa : 37,7 x 42,7 mm - Spessore Cassa : 11,2 mm

Case : *stainless steel* - Movement: *Miyota FS01* - Glass : *mineral*
Strap : *leather, 30/24mm* - Caseback : *snap type, stainless steel*
Case dimensions : *37,7 x 42,7 mm* - Case thickness : *11,2 mm*



SH0195CHL

Pegaso

CHRONOGRAPHS



Case

Stainless steel, polished and brushed finishing, toping IP Black polished finishing

Caseback

Screw type stainless steel

Glass

Mineral

Crown

Screw type stainless steel (unscrew to unlock)

Pushers

Stainless steel and aluminium

Dial

Two levels with applied indexes



Diameter 45 mm

Thickness 15,5 mm



Movement

TMI VK 67



Water Resistant

5 ATM



Strap

Leather, with S/S buckle with tongue, 22/20 mm



SH9100SLLBK



SH9100BKLBK



Pilota Chrono

CHRONOGRAPHS



Case
Stainless steel,
brushed finishing
Caseback
Screw type, stainless steel

Glass
Mineral
Crown
Stainless steel
Pushers
Stainless steel

Dial
Grainy finishing
with relief figures



Diameter 42,8 mm
Thickness 15,3 mm



Movement
Miyota 0S10



Water Resistant
5 ATM



Strap
Leather, with S/S buckle
with tongue, 20 mm
Bracelet
Solid stainless steel,
brushed finishing,
deployante, 20/18 mm



SH5065SLS



SH5064SLLBK



Rally chrono

STEEL  100 m

Cronografi Uomo
Gent Chronographs

Cassa: acciaio, finitura spazzolata con ghiera girevole - **Impermeabilità:** 5 ATM
Vetro: minerale - **Corona:** acciaio - **Pulsanti:** acciaio - **Fondello:** acciaio a vite
Diametro cassa: 46 mm - **Spessore Cassa:** 13,5 mm - **Movimento:** Miyota JS50
Quadrante: finitura guillochè con indici applicati
Cinturino: gomma, 22/20 mm - **Fibbia:** acciaio, deployante

Case: stainless steel with brushed finishing with turnable ring - *Water resistant:* 5 ATM
Glass: mineral - *Crown:* stainless steel - *Pushers:* stainless steel
Caseback: screw type stainless steel - *Case diameter:* 46 mm - *Case thickness:* 13,5 mm
Movement: Miyota JS50 - *Dial:* guillochè finishing with luminous indexes
Strap: rubber, 22/20 mm - *Buckle:* stainless steel, deployante



SH9552SLP



SH9552SLP



San Marco Chrono

CHRONOGRAPHS



Case

Stainless steel,
PVD Black matt finishing
with turnable top ring

Caseback

Screw type stainless steel

Glass

Sapphire

Crown

Screw type stainless steel,
PVD Black matt finishing

Pushers

Stainless steel,
PVD Black matt finishing

Dial

Matt finishing
with super Luminova

Hands

Super Luminova



Diameter 46,5 mm

Thickness 9,5 mm



Movement

Miyota 0S20



Water Resistant

20 ATM



Strap

Silicone rubber, 22/20 mm;
leather, 22/20 mm

Buckle

Stainless steel, PVD Black
matt finishing with tongue



SH5017BKP



SH5017BKLB



Sorrento

CRONOGRAFI UOMO
GENT CHRONOGRAPHS



SH9043WHSBL



SH9043BKSYE



Cassa: acciaio, finitura spazzolata e lucida, con ghiera girevole - **Impermeabilità:** 10 ATM
Vetro: minerale - **Corona:** acciaio - **Pulsanti:** acciaio - **Fondello:** acciaio a vite
Diametro cassa: 43 mm - **Spessore Cassa:** 13 mm - **Movimento:** Miyota JS25
Bracciale: acciaio solido, 22/20 mm, finitura spazzolata e lucida
Fibbia: acciaio, deployante

Case: stainless steel with polished and brushed finishing, with turnable ring - **Water resistant:** 10 ATM
Glass: mineral - **Crown:** stainless steel - **Pushers:** stainless steel - **Caseback:** screw type stainless steel
Case diameter: 43 mm - **Case thickness:** 13 mm Movement: Miyota JS25
Bracelet: solid stainless steel with polished and brushed finishing, 22/20 mm
Buckle: stainless steel, deployante

Torino Chrono

CHRONOGRAPHS



Case
Stainless steel

Caseback
Snap type, stainless steel

Glass
Mineral with lens

Crown
Stainless steel

Pusher
Stainless steel



Diameter 40 x 50 mm
Thickness 13 mm



Movement
Miyota OS20



Water Resistant
3 ATM



Strap
Leather, 24/22 mm

Buckle
Stainless steel, with tongue



SH9327BKL

Touring



Case

Stainless steel,
IPBlack matt finishing
with tachymeter printed

Caseback

Screw type stainless steel

Glass

Mineral

Crown

Stainless steel, IPBlack

Pushers

Stainless steel,
IPBlack and aluminium

Dial

Two level,
carbon fibre texture



Diameter 45 mm

Thickness 11,5 mm



Movement

Epson VR32



Water Resistant

5 ATM



Strap

Nylon, padded, 22/20 mm

Buckle

Stainless steel with tongue,
IP black polished finishing



SH5663FCLBKWH



SH5663FCLBKRD



SH5663FCLBKCY



SH5663FCLBKGE

CHRONOGRAPHS

Virtus

CHRONOGRAPHS



Case

Stainless steel,
IPBlack, matt finishing

Caseback

Screw type, stainless
steel, circular brushed

Glass

Mineral

Crown

Stainless steel,
black finishing

Pushers

Stainless steel,
black finishing



Diameter 42,5 mm

Thickness 15,5 mm



Movement

Miyota 0S10



Water Resistant

5 ATM



Strap

Leather, 20/18 mm

Buckle

Stainless steel, IP black,
matt finishing with tongue



SH5651BKLBK



Vulcano

CRONOGRAFI UOMO
GENT CHRONOGRAPHS

Cassa: acciaio - **Impermeabilità:** 5 ATM - **Movimento:** Miyota OS20
Vetro: minerale - **Cinturino:** pelle, 22/20 mm - **Fondello:** a vite in acciaio
Diametro cassa: 47 mm - **Spessore Cassa:** 13 mm

Case: stainless steel - **Water resistant:** 5 ATM - **Movement:** Miyota OS20
Glass: mineral - **Strap:** leather, 22/20 mm - **Caseback:** screw type, stainless steel
Case diameter: 47 mm - **Case thickness:** 13 mm



SH9096BKL



SH9096BKL



Adam

GENT QUARTZ



Case
Stainless steel
Caseback
screw-type, stainless steel
Glass
Mineral
Crown
Stainless steel



Diameter 43 mm
Thickness 13,5 mm



Movement
Miyota 2115



Water Resistant
5 ATM



Strap
Leather, 22/20 mm
Buckle
Stainless steel



SH9623WHL



Alassio

GENT QUARTZ



Case

Plastic and metal with brushed finishing

Caseback

Screw-type, stainless steel

Glass

Mineral

Crown

Stainless steel

Dial

With inner ring



Diameter 42 x 49 mm

Thickness 10,5 mm



Movement

Epson Y121E



Water Resistant

10 ATM



Strap

Rubber, 28/20 mm

Buckle

Stainless steel with tongue



PH9082BKP



Alluit

GENT QUARTZ



Case

Anodized aluminium with aluminium turnable ring

Caseback

Screw type, stainless steel

Glass

Mineral with lens

Crown

Anodized aluminium

Dial

With applied indexes



Diameter 40 mm

Thickness 12 mm



Movement

Miyota 2315



Water Resistant

5 ATM



Strap

Anodized aluminium
20/16 mm

Buckle

Stainless steel, butterfly



AL9584CEA



AL9584RDA



AL9584GEA



AL9584ORA



AL9584VLA



AL9584BRA



AL9584FXA



AL9584YEA

Arezzo



Case
Stainless steel with polished finishing
Caseback
Screw type, stainless steel

Glass
Mineral

Crown
Stainless steel

Dial
With applied indexes



Diameter 39 mm
Thickness 12,3 mm



Movement
Miyota 2115



Water Resistant
5 ATM



Strap
Leather, 20/18 mm
Buckle
Stainless steel with tongue



GENT QUARTZ



SH5097SLLDB



SH5097SLL01BK



SH5097BKLBK



Assalto

GENT QUARTZ



Case
Stainless steel
Caseback
Snap style, stainless steel
Glass
Mineral
Crown
Stainless steel



Diameter 39 mm
Thickness 11,5 mm



Movement
TMI PC32



Water Resistant
5 ATM



Strap
Nylon, 20 mm
Buckle
Stainless steel with tongue



SH9045BLTBL

Black Army

GENT QUARTZ



Case

Stainless steel, IP black coating with satined finishing

Caseback

Screw-type, stainless steel

Glass

Mineral

Crown

Stainless steel, IP black coating with satined finishing



Diameter 43 mm

Thickness 12 mm



Movement

Miyota 2415



Water Resistant

5 ATM



Strap

Rubber, 22/20 mm

Buckle

Stainless steel with tongue, IP black coating with satined finishing



SH9582RDP

Brandy

QUARZO UOMO

GENT QUARTZ

acciaio

stainless steel

Cassa: acciaio · **Movimento:** Miyota 2115

Funzioni: ore, minuti, secondi, datario · **Vetro:** minerale

Cinturino: pelle, 26/22 mm · **Fondello:** a pressione in acciaio

Dimensioni cassa: 40 x 50 mm · **Spessore Cassa:** 12 mm

Case: stainless steel · **Movement:** Miyota 2115

Functions: hours, minutes, seconds, date window · **Glass:** mineral

Strap: leather, 26/22 mm · **Caseback:** snap type, stainless steel

Case dimensions: 40 x 50 mm · **Case thickness:** 12 mm



SH9383BKL



SH9383GRL



SH9383BKL



Brezza

QUARZO UOMO
GENT QUARTZ



AH5068SLTGEIV

AH5068SLTBRIV

AH5068SLTBR

AH5068SLTOR

AH5068BKTBK

AH5068BKTOG

Cassa: metallo, finitura lucida - **Impermeabilità:** 3 ATM - **Movimento:** TMI PC20
Vetro: minerale - **Corona:** metallo - **Cinturino:** Nato, tessuto, 20 mm - **Fibbia:** acciaio con
ardiglione - **Fondello:** a pressione in acciaio - **Quadrante:** indici applicati - **Diametro Cassa:**
40 mm - **Spessore Cassa:** 7,9 mm

*Case: metal with polished finishing - Water resistant: 3 ATM - Movement: TMI PC20
Glass: mineral - Crown: steel - Strap: Nato, nylon, 20 mm - Buckle: stainless steel
with tongue - Caseback: snap type, stainless steel - Dial: with applied indexes
Case diameter: 40 mm - Case thickness: 7,9 mm*

Brezza Fluo

GENT QUARTZ



Case
Metal with polished finishing

Caseback
Snap type, stainless steel

Glass
Mineral

Crown
Steel

Dial
With applied indexes



Diameter 40 mm
Thickness 7,9 mm



Movement
TMI PC20



Water Resistant
3 ATM



Strap
Nato, nylon, 20 mm

Buckle
Stainless steel with tongue



AH5068SLTORF



AH5068SLTFXF



AH5068SLTGEF



AH5068SLTCYF

Cervino

GENT QUARTZ



Case

Stainless steel, polished and brushed finishing with fixed S/S toping

Caseback

Screw type stainless steel

Glass

Mineral with lens

Crown

Stainless steel

Dial

Shiny background with labelling indexes



Diameter 39,5 mm

Thickness 13,5 mm



Movement

Ronda 515



Water Resistant

10 ATM



Bracelet

Solid stainless steel with polished and brushed finishing, 20/18 mm

Buckle

Stainless steel, deployante



SH5702WHS



SH5701BKS



SH5701WHS

Commando

QUARZO UOMO
GENT QUARTZ

Cassa: acciaio - **Impermeabilità:** 5ATM - **Movimento:** TMI PC32
Vetro: minerale - **Cinturino:** tessuto, 20 mm - **Fondello:** a pressione in acciaio
Diametro cassa: 36 mm - **Spessore Cassa:** 11,5 mm

*Case: stainless steel - Water resistant: 5ATM - Movement: TMI PC32
Glass: mineral - Strap: nylon, 20 mm - Caseback: snap type, stainless steel
Case diameter: 36 mm - Case thickness: 11,5 mm*



SH9044BLTBL



SH9044BLTBL



SH9044BKTBK

Dada

QUARZO UOMO
GENT QUARTZ

Cassa: metallo gommato - **Movimento:** TMI PC21
Vetro: minerale - **Cinturino:** pelle, 20/18 mm - **Fondello:** a pressione in acciaio
Dimensione cassa: 39x39 mm - **Spessore Cassa:** 10 mm

*Case: rubberized metal - Movement: TMI PC21 - Glass: mineral
Strap: leather, 20/18 mm - Caseback: snap type, stainless steel
Case dimensions: 39x39 mm - Case thickness: 10 mm*



AH9653FXL



AH9653WHL



AH9653FXL

Discovery

Also available in "Lady" version, Ø 35 mm (see Discovery Lady)

GENT QUARTZ



Case

Stainless steel,
polished finishing

Caseback

Screw type stainless steel

Glass

Mineral

Crown

Stainless steel

Dial

With inner ring



Diameter 42,5 mm

Thickness 12 mm



Movement

Miyota 2315



Water Resistant

5 ATM



Strap

Leather with croco pattern
22/20 mm

Buckle

Stainless steel with tongue



SS9210ILL03



SS9210ILL02



SS9210BKL



Diver

QUARZO UOMO
GENT QUARTZ

Cassa: acciaio - **Impermeabilità:** 10ATM - **Movimento:** Miyota 2115
Vetro: minerale - **Cinturino:** gomma, 22/20 mm - **Fondello:** a vite in acciaio
Diametro cassa: 41,5 mm - **Spessore Cassa:** 12 mm

Case: stainless steel - *Water resistant:* 10ATM - *Movement:* Miyota 2115
Glass: mineral - *Strap:* rubber, 22/20 - *Caseback:* screw type, stainless steel
Case diameter: 41,5 mm - *Case thickness:* 12 mm



SH9420BKP



SH9420BKP



SH9420SLP

Fox

QUARZO UOMO
GENT QUARTZ

Cassa: acciaio - **Impermeabilità:** 5ATM - **Movimento:** Miyota 2315
Vetro: minerale - **Cinturino:** pelle, 24/22 mm - **Fondello:** a vite in acciaio
Dimensioni Cassa: 42,5 x 51 mm - **Spessore Cassa:** 14 mm

*Case: stainless steel - Water resistant: 5ATM - Movement: Miyota 2315
Glass: mineral - Strap: leather, 24/22 mm - Caseback: screw type, stainless steel
Case dimensions: 42,5 x 51 mm - Case thickness: 14 mm*



SH9432BKL



SH9432BKL

Frogman

GENT QUARTZ



Case
Stainless steel

Caseback
Screw-type, stainless steel

Glass
Mineral

Crown
Stainless steel



Diameter 42,5 x 54 mm
Thickness 14 mm



Movement
Miyota 2305



Water Resistant
5 ATM



Strap
Leather, 24/20 mm



SH9483BKL

Gabriel

QUARZO UOMO
GENT QUARTZ

Cassa: acciaio - **Movimento:** Miyota 2115 - **Vetro:** minerale
Cinturino: pelle, 20/18 mm - **Fondello:** a pressione in acciaio
Dimensioni Cassa: 30 x 47 mm - **Spessore Cassa:** 11 mm

*Case: stainless steel - Movement: Miyota 2115 - Glass: mineral
Strap: leather, 20/18 mm - Caseback: snap type, stainless steel
Case dimensions: 30 x 47 mm - Case thickness: 11 mm*



9803SS3LBKWH



9803SS3LBKWH

Ginger neon

QUARZO UOMO
GENT QUARTZ

Cassa: metallo gommato - **Impermeabilità:** 5ATM - **Movimento:** Miyota 2025
Vetro: minerale - **Cinturino:** gomma, 20/18 mm - **Fondello:** a pressione in acciaio
Diametro cassa: 38 mm - **Spessore Cassa:** 10 mm

*Case: rubberized metal - Water resistant: 5ATM - Movement: Miyota 2025
Glass: mineral - Strap: rubber, 20/18 mm - Caseback: snap type, stainless steel
Case diameter: 38 mm - Case thickness: 10 mm*



9775ME3RYEWH



9775ME3RFXWH



9775ME3RCYWH



9775ME3RYEWH



9775ME3RORWH

Grifone

GENT QUARTZ



Case

Stainless steel,
IPBlack matt finishing
with o-ring in the topring

Caseback

Screw type stainless steel

Glass

Mineral

Crown

Stainless steel



Diameter 44,5 mm

Thickness 11,5 mm



Movement

Miyota 2415



Water Resistant

5 ATM



Strap

Silicone rubber, 26/20 mm

Buckle

Stainless steel with tongue



SH5095WHP



SH5095BKP



Leon

QUARZO UOMO
GENT QUARTZ

Cassa: metallo - **Movimento:** TMI PC21 - **Vetro:** minerale
Cinturino: gomma 36/22 mm - **Fondello:** a pressione in acciaio
Dimensioni Cassa: 36 x 46 mm - **Spessore Cassa:** 11 mm

*Case: metal - Movement: TMI PC21 - Glass: mineral
Strap: rubber, 36/22 mm - Caseback: snap type, stainless steel
Case dimensions: 36 x 46 mm - Case thickness: 11 mm*



AH9617BKP



AH9616BKP



AH9616SLP



AH9617BKP



AH9618GRP

Linea

GENT QUARTZ



Case

Stainless steel,
polished finishing

Caseback

Snap type stainless steel

Glass

Mineral

Crown

Stainless steel

Dial

With applied indexes



Diameter 40 mm

Thickness 6,5 mm



Movement

TMI VJ20



Water Resistant

3 ATM



Strap

Padded leather, with S/S
buckle with tongue,
20/18 mm

Bracelet

Stainless steel,
Milanese mesh band,
coulisse closure, 20 mm

NATO strap

Nylon or leather with S/S
buckle with tongue, 20 mm



SH5069BKS



SH5069BKLBK



SH5070GDS



SH5071BKTBK

Magellano

QUARZO UOMO
GENT QUARTZ

Cassa: metallo - **Movimento:** TMI PC2 - **Vetro:** minerale
Cinturino: tessuto, 20 mm - **Fondello:** a pressione in acciaio
Dimensione cassa: 39,8mm x 47,5mm - **Spessore Cassa:** 9,5 mm

*Case: metal - Movement: TMI PC21 - Glass: mineral
Strap: nylon, 20 mm - Caseback: snap type, stainless steel
Case dimensions: 39,8 x 47,5 mm - Case thickness: 9,5 mm*



AH9655BKT02



AH9655SLT03



AH9655SLT02



AH9655BKT01



AH9655BKT02



AH9655BKT03



AH9655ORT



AH9655BLT

Marte

GENT QUARTZ



Case

Stainless steel,
IPBlack, matt finishing

Caseback

Screw type, stainless steel,
circular brushed

Glass

Mineral

Crown

Stainless steel,
IPBlack finishing



Diameter 42,5 mm

Thickness 15,5 mm



Movement

Miyota 2105



Water Resistant

5 ATM



Strap

Padded leather, 20/18 mm

Buckle

Stainless steel, IPBlack,
matt finishing with tongue



SH5650BKLBK



Meridiano

GENT QUARTZ



Case

Stainless steel,
polished finishing

Caseback

Screw type stainless steel

Glass

Mineral

Crown

Stainless steel



Diameter 43 mm

Thickness 13 mm



Movement

Eta 805.161



Water Resistant

5 ATM



Strap

Padded leather, 22/20 mm

Buckle

Stainless steel with tongue



SH5668BKLK



SH5668SLLBK



SH5668SLLDBRG



Napoli



Case
Stainless steel with
polished and brushed
finishing
Caseback
Screw type, stainless steel
Glass
Mineral
Crown
Stainless steel
Dial
With applied indexes



Diameter 40 mm
Thickness 8,5 mm



Movement
Miyota 2415



Water Resistant
5 ATM



Strap
Padded leather, 22/18 mm
Buckle
Stainless steel with tongue



GENT QUARTZ



SH5679SLLBK



SH5679BLLBL



Naxos

GENT QUARTZ



Case

Stainless steel with polished and brushed finishing

Caseback

Screw type, stainless steel

Glass

Mineral

Crown

Stainless steel

Dial

Two levels with applied indexes



Diameter 40 mm

Thickness 8,5 mm



Movement

Miyota 6P20



Water Resistant

5 ATM



Strap

Padded leather with crocodile grain, 22/18 mm

Buckle

Stainless steel with tongue



SH5680SLL



Otello



Quarzo Uomo
Gent Quartz

Cassa: acciaio, finitura lucida - **Impermeabilità:** 5ATM
Vetro: minerale - **Corona:** acciaio - **Fondello:** acciaio a vite
Diametro cassa: 41 mm - **Spessore Cassa:** 9,5 mm - **Movimento:** Miyota Super GM15
Cinturino: pelle, 20/18 mm - **Fibbia:** acciaio con ardiglione

Case: stainless steel with polished finishing - **Water resistant:** 5ATM
Glass: mineral - **Crown:** stainless steel - **Caseback:** screw type stainless steel
Case diameter: 41 mm - **Case thickness:** 9,5 mm - **Movement:** Miyota Super GM15
Strap: leather, 20/18 mm - **Buckle:** stainless steel with tongue



SH9003WHL1



SH9002SLL



SH9002WHL1



SH9003WHL1

Padova

GENT QUARTZ



Case
Stainless steel with
polished and satin
finishing
Caseback
Screw type, stainless steel
Glass
Sapphire
Crown
Stainless steel



Diameter 39 mm
Thickness 9,0 mm



Movement
Miyota



Water Resistant
10 ATM



Strap
leather or fabric, 20/20 mm
Buckle
Stainless steel with tongue



SH5612BKL



SH5612WHL



SH5613WHL

Pavia



Case
Stainless steel with
polished and brushed
finishing
Caseback
Screw-type, stainless steel
Glass
Mineral
Crown
Stainless steel (unscrew to
unlock)



Diameter 40 mm
Thickness 11 mm



Movement
Miyota 2035



Water Resistant
10 ATM



Bracelet
Stainless steel, 20/18 mm,
with polished and brushed
finishing
Buckle
Stainless steel, deployante



SH9071WHS



SH9071BKS



GENT QUARTZ

Pesaro



Case
metal IPS, polished
finishing
Caseback
Snap type, stainless steel
Glass
Mineral
Crown
Stainless steel



Diameter 40 mm
Thickness 12,3 mm



Movement
Miyota 2035



Water Resistant
3 ATM



Bracelet
Stainless steel, 20/18 mm
with polished and brushed
finishing
Buckle
Stainless steel, deployante



AH5021BKS



AH5021WHS

GENT QUARTZ

Pilota



Case

Stainless steel,
brushed finishing

Caseback

Screw type, stainless steel

Glass

Mineral

Dial

Grainy finishing

Crown

Stainless steel



Diameter 42,8 mm

Thickness 15,3 mm



Movement

Miyota 2315



Water Resistant

5 ATM



Strap

Leather, with S/S buckle
with tongue, 20 mm

Bracelet

Solid stainless steel,
brushed finishing,
deployante, 20/18 mm



GENT QUARTZ



SH5062SLLBK



SH5063SLS



Poseidone

GENT QUARTZ



Case
Stainless steel with
brushed finishing
Caseback
Screw type stainless steel

Glass
Mineral
Crown
Stainless steel

Dial
Lorem
Pushers
Lorem



Diameter 45 mm
Thickness 13,5 mm



Movement
Miyota 2305



Water Resistant
20 ATM



Strap
Rubber 22/20 mm
Buckle
Stainless steel,
deployante



9809SS3RBKGE

Race

Quarzo Uomo
Gent Quartz

Cassa: metallo con placcatura IP black e finitura lucida - **Vetro:** minerale
Corona: acciaio, placcatura IP black, finitura lucida - **Fondello:** acciaio a pressione
Diametro cassa: 43 mm - **Spessore Cassa:** 10 mm - **Movimento:** TMI PC21
Cinturino: gomma, 33,5/22 mm - **Fibbia:** acciaio con deployante, placcatura IP black

Case: metal, IP black coating, polished finishing - *Glass:* mineral
Crown: stainless steel, IP black coating, polished finishing - *Caseback:* snap type, stainless steel
Case diameter: 43 mm - *Case thickness:* 10 mm - *Movement:* TMI PC21
Strap: rubber, 33,5/22 - *Buckle:* stainless steel deployante, IP black coating



AH9607RDP



AH9607RDP

Rally

QUARZO UOMO
GENT QUARTZ

Cassa: acciaio - **Impermeabilità:** 5ATM - **Movimento:** Miyota 2035
Vetro: minerale - **Cinturino:** gomma, 22/20 mm - **Fondello:** a vite in acciaio
Diametro cassa: 46 mm - **Spessore Cassa:** 13,5 mm

*Case: stainless steel - Water resistant: 5ATM - Movement: Miyota 2035
Glass: mineral - Strap: rubber, 22/20 mm - Caseback: snap type, stainless steel
Case diameter: 46 mm - Case thickness: 13,5 mm*



SH9579YEP



SH9579YEP

Rapallo

GENT QUARTZ



Case

Stainless steel with polished and brushed finishing

Caseback

Screw type, stainless steel

Glass

Mineral

Crown

Stainless steel

Dial

With applied indexes



Diameter 42,2 mm

Thickness 14,5 mm



Movement

Miyota 2115



Water Resistant

5 ATM



Bracelet

Padded leather with cro-co pattern, 22/20 mm

Buckle

Stainless steel with tongue



SH5683SLL



SH5683BLL



SH5684SLL



Roger

QUARZO UOMO
GENT QUARTZ

Cassa: acciaio - **Movimento:** Miyota 2315 - **Impermeabilità:** 10 ATM
Vetro: minerale con lente - **Bracciale:** acciaio, 20/18 mm - **Fondello:** a vite in acciaio
Diametro cassa: 39,5 mm - **Spessore cassa:** 13,5 mm

*Case: stainless steel - Movement: Miyota 2315 - Water resistant: 10 ATM
Glass: mineral with lens - Bracelet: stainless steel, 20/18 mm
Caseback: screw type, stainless steel - Case diameter: 39,5 mm - Case thickness: 13,5 mm*



SH9619WHS01



SH9012WHS

SH9012WHS

Saturno

GENT QUARTZ



Case

Stainless steel with polished finishing

Caseback

Screw type, stainless steel

Glass

Mineral

Crown

Stainless steel

Dial

With applied indexes



Diameter 39 mm
Thickness 7,5 mm



Movement

Miyota GL15



Water Resistant
3 ATM



Strap

Milanese mesh band,
24/22 mm

Buckle

Stainless steel closing slide



SH9701BRS

Silverstone

STEEL  50 m

Quarzo Uomo
Gent Quartz

Cassa: acciaio finitura lucida e spazzolata - **Impermeabilità:** 5 ATM
Vetro: minerale - **Corona:** acciaio - **Fondello:** acciaio a vite
Diametro cassa: 43 mm - **Spessore Cassa:** 13,5 mm
Movimento: Miyota 2415 - **Quadrante:** con indici applicati, finitura guilloché
Cinturino: pelle, 28/20 mm - **Fibbia:** acciaio con ardiglione

Case: stainless steel with polished and brushed finishing - **Water resistant:** 5 ATM
Glass: mineral - **Crown:** stainless steel - **Caseback:** screw type stainless steel
Case diameter: 43 mm - **Case thickness:** 13,5 mm
Movement: Miyota 2415 - **Dial:** with applied indexes, guilloché finishing
Strap: leather, 28/20 mm - **Buckle:** stainless steel with tongue



9827SS3RBKSL



9827SS3RBKSL



9827SB3RBKBK



9827SB3RRDBK

Sintesi

Also available in "Lady" version, Ø 36 mm (see Sintesi Lady)

GENT QUARTZ



Case
Metal IPS,
polished finishing
Caseback
Snap type stainless steel
Glass
Mineral
Crown
Stainless steel
Dial
With applied indexes



Diameter 40 mm
Thickness 7,4 mm



Movement
TMI PC20



Water Resistant
3 ATM



Strap
Imitation leather,
with S/S buckle with tongue,
20/18 mm
Bracelet
Stainless steel,
Milanese meshband,
coulisse closure, 20 mm



AH5068SLS



AH5068SLLBK



AH5068BKS



AH5068BKLBK

Threetime

GENT QUARTZ



Case

Metal, polished finishing

Caseback

Snap type stainless steel

Glass

Mineral

Crown

Stainless steel



Diameter 45 mm

Thickness 10,7 mm



Movement

Epson 1×Y121F; 2×Y120F



Water Resistant

3 ATM



Strap

Black:
Padded imitation leather;

Brown:
Padded leather;

22/20 mm
Buckle
Stainless steel with tongue



AH5667BKLBK



AH5667SLldb



Tropea

QUARZO UOMO
GENT QUARTZ

Cassa: acciaio · **Impermeabilità:** 10ATM · **Movimento:** TMI PC32A
Vetro: minerale · **Cinturino:** tessuto, 20 mm · **Fondello:** a vite in acciaio
Diametro cassa: 40 mm · **Spessore Cassa:** 11 mm

*Case: stainless steel · Water resistant: 10ATM · Movement: TMI PC32A
Glass: mineral · Strap: nylon, 20 mm · Caseback: screw-type, stainless steel
Case diameter: 40 mm · Case thickness: 11 mm*



SH9116WHTCEGE



SH9116WHTCEGE



SH9116WHTCERD



SH9116WHTBLWH

Tyson

QUARZO UOMO
GENT QUARTZ

Cassa: acciaio e plastica - **Movimento:** Miyota 2415
Vetro: plastica - **Cinturino:** gomma e acciaio, 22 mm - **Fondello:** con 4 viti in acciaio
Dimensioni cassa: 47 x 56 mm - **Spessore Cassa:** 16 mm

Case: stainless steel and plastic - *Movement:* Miyota 2415 - *Glass:* plastic
Strap: rubber and stainless steel, 22 mm - *Caseback:* with 4 screws, stainless steel
Case dimensions: 47 x 56 mm - *Case thickness:* 16 mm

STEEL



SH9519BKP01



SH9518BKP



SH9519BKP01



SH9519BKP

Vertigo

QUARZO UOMO
GENT QUARTZ

Cassa: acciaio - **Impermeabilità:** 5ATM - **Movimento:** Miyota 2315
Vetro: minerale - **Cinturino:** gomma, 22/20 mm - **Fondello:** a vite in acciaio
Diametro cassa: 43 mm - **Spessore Cassa:** 12 mm

*Case: stainless steel - Water resistant: 5ATM - Movement: Miyota 2315
Glass: mineral - Strap: rubber, 22/20 mm - Caseback: screw type, stainless steel
Case diameter: 43 mm - Case thickness: 12 mm*



9807SB3RBK BK



9807SB3RBK BK



9807SB3RBK RD



9807SB3RBK SL

Volterra 40

GENT QUARTZ



Case

Stainless steel,
polished finishing

Caseback

Snap type stainless steel

Glass

Mineral

Crown

Stainless steel

Dial

With applied indexes



Diameter 40 mm

Thickness 6,5 mm



Movement

Miyota GL30



Water Resistant

3 ATM



Strap

Padded leather, with S/S
buckle with tongue,
20/18 mm

Bracelet

Stainless steel,
Milanese mesh band,
coulisse closure, 20 mm



SH5695SLRDB

Assalto

GENT QUARTZ



Case
Stainless steel
Caseback
Snap style, stainless steel
Glass
Mineral
Crown
Stainless steel



Diameter 39 mm
Thickness 11,5 mm



Movement
TMI PC32



Water Resistant
5 ATM



Strap
Nylon, 20 mm
Buckle
Stainless steel with tongue



SH9045BLTBL

Commando

QUARZO UOMO
GENT QUARTZ

Cassa: acciaio - **Impermeabilità:** 5ATM - **Movimento:** TMI PC32
Vetro: minerale - **Cinturino:** tessuto, 20 mm - **Fondello:** a pressione in acciaio
Diametro cassa: 36 mm - **Spessore Cassa:** 11,5 mm

*Case: stainless steel - Water resistant: 5ATM - Movement: TMI PC32
Glass: mineral - Strap: nylon, 20 mm - Caseback: snap type, stainless steel
Case diameter: 36 mm - Case thickness: 11,5 mm*



SH9044BLTBL



SH9044BLTBL



SH9044BKTBK

Frogman

GENT QUARTZ



Case
Stainless steel

Caseback
Screw-type, stainless steel

Glass
Mineral

Crown
Stainless steel



Diameter 42,5 x 54 mm
Thickness 14 mm



Movement
Miyota 2305



Water Resistant
5 ATM



Strap
Leather, 24/20 mm



SH9483BKL

Marte

GENT QUARTZ



Case

Stainless steel,
IPBlack, matt finishing

Caseback

Screw type, stainless steel,
circular brushed

Glass

Mineral

Crown

Stainless steel,
IPBlack finishing



Diameter 42,5 mm

Thickness 15,5 mm



Movement

Miyota 2105



Water Resistant

5 ATM



Strap

Padded leather, 20/18 mm

Buckle

Stainless steel, IPBlack,
matt finishing with tongue



SH5650BKLBK



Pilota



Case

Stainless steel,
brushed finishing

Caseback

Screw type, stainless steel

Glass

Mineral

Dial

Grainy finishing

Crown

Stainless steel



Diameter 42,8 mm

Thickness 15,3 mm



Movement

Miyota 2315



Water Resistant

5 ATM



Strap

Leather, with S/S buckle
with tongue, 20 mm

Bracelet

Solid stainless steel,
brushed finishing,
deployante, 20/18 mm



SH5062SLLBK



SH5063SLS



Pilota Chrono

CHRONOGRAPHS



Case

Stainless steel,
brushed finishing

Caseback

Screw type, stainless steel

Glass

Mineral

Crown

Stainless steel

Pushers

Stainless steel

Dial

Grainy finishing
with relief figures



Diameter 42,8 mm

Thickness 15,3 mm



Movement

Miyota 0S10



Water Resistant

5 ATM



Strap

Leather, with S/S buckle
with tongue, 20 mm

Bracelet

Solid stainless steel,
brushed finishing,
deployante, 20/18 mm



SH5065SLS



SH5064SLLBK



San Marco Chrono

CHRONOGRAPHS



Case

Stainless steel,
PVD Black matt finishing
with turnable top ring

Caseback

Screw type stainless steel

Glass

Sapphire

Crown

Screw type stainless steel,
PVD Black matt finishing

Pushers

Stainless steel,
PVD Black matt finishing

Dial

Matt finishing
with super Luminova

Hands

Super Luminova



Diameter 46,5 mm

Thickness 9,5 mm



Movement

Miyota 0S20



Water Resistant

20 ATM



Strap

Silicone rubber, 22/20 mm;
leather, 22/20 mm

Buckle

Stainless steel, PVD Black
matt finishing with tongue



SH5017BKP



SH5017BKLB



Virtus

CHRONOGRAPHS



Case

Stainless steel,
IPBlack, matt finishing

Caseback

Screw type, stainless
steel, circular brushed

Glass

Mineral

Crown

Stainless steel,
black finishing

Pushers

Stainless steel,
black finishing



Diameter 42,5 mm

Thickness 15,5 mm



Movement

Miyota 0S10



Water Resistant

5 ATM



Strap

Leather, 20/18 mm

Buckle

Stainless steel, IP black,
matt finishing with tongue



SH5651BKLBK



Aisha

QUARZO DONNA
LADY QUARTZ

Bangle: metallo e pelle - **Movimento:** Miyota 7T35 - **Vetro:** minerale
Fondello: a pressione in acciaio - **Larghezza bangle:** 30 mm
Spessore cassa: 10 mm

***Bangle:** metal and leather - **Movement:** Miyota 7T35 - **Glass:** mineral
Caseback: snap type, stainless steel - **Bangle width:** 30 mm
Case thickness: 10 mm*



AH0503GDS



AH0503GDS



AH0502SLS01



AH0502SLS02



AH0502SLS03

Andromeda

LADY QUARTZ



Case

Stainless steel, polished

Caseback

Snap type stainless steel

Glass

Mineral

Crown

Stainless steel



Dimensions 21*36,5 mm

Thickness 10,5 mm



Movement

Miyota 2035



Water Resistant

3 ATM



Strap

Leather with croco pattern, 14/12 mm

Buckle

Stainless steel with tongue



0627SS3LWHWH



0627SS3LBKBK

Atena

LADY QUARTZ



Case

Stainless steel, polished and brushed finishing

Caseback

Screw type stainless steel

Glass

Mineral with lens

Crown

Stainless steel

Dial

With applied indexes



Diameter 35 mm

Thickness 12,5 mm



Movement

Miyota 2115



Water Resistant

10 ATM



Bracelet

Solid stainless steel, with polished and brushed finishing, 20/16 mm

Buckle

Stainless steel, deployante



SH0764RSS



SH0764BKS

Brezza Lady

Disponibile anche nella versione "Uomo", Ø 40 mm (vedi Brezza)
Also available in "Gent" version, Ø 40 mm (see Brezza)

QUARZO DONNA
LADY QUARTZ



AH0796SLTBLVL



AH0796SLTBLRD



AH0796SLTCERD

Cassa: metallo, finitura lucida - **Impermeabilità:** 3 ATM - **Movimento:** TMI PC20
Vetro: minerale - **Corona:** acciaio - **Fondello:** a pressione in acciaio
Quadrante: indici applicati - **Diametro Cassa:** 36 mm - **Spessore Cassa:** 7,9 mm
Cinturino: Nato, tessuto, 18 mm - **Fibbia:** acciaio con ardiglione

Case: metal with polished finishing - *Water resistant:* 3 ATM - *Movement:* TMI PC20
Glass: mineral - *Crown:* stainless steel - *Caseback:* snap type, stainless steel
Dial: with applied indexes - *Case diameter:* 40 mm - *Case thickness:* 7,9 mm
Buckle: stainless steel with tongue - *Strap:* Nato, nylon, 20 mm

Bubble

LADY QUARTZ



Case

Brass with Swarovski stones

Caseback

Snap type, stainless steel

Glass

Mineral



Diameter 35 x 35,5 mm

Thickness 10 mm



Movement

Miyota 2025



Water Resistant

3 ATM

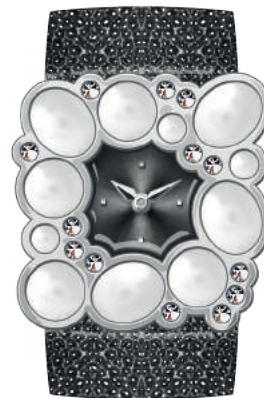


Strap

devil fish skin, 24 mm

Buckle

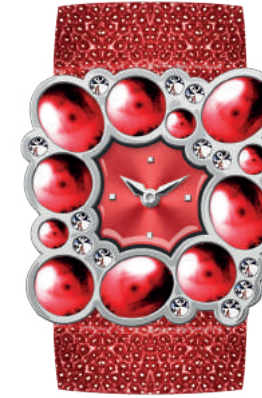
Stainless steel with tongue



BH0650BKL



BH0650BLL



BH0650RDL



BH0650BRL



Candy

QUARZO DONNA
LADY QUARTZ

Cassa: metallo e smalto - Movimento: TMI PC21 - Vetro: minerale
Bracciale: metallo e smalto, 26 mm - Fondello: a pressione in acciaio
Dimensione cassa: 26 x 26 mm - Spessore Cassa: 8 mm

Case: metal and enamel - Movement: TMI PC21 - Glass: mineral
Bracelet: metal and enamel, 26 mm - Caseback: snap type, stainless steel
Case dimensions: 26 x 26 mm - Case thickness: 8 mm



AH0488SLS10

Carrara

LADY QUARTZ



Case

Stainless steel with polished and brushed finishing

Caseback

Screw type stainless steel

Glass

Mineral

Crown

Stainless steel with blue cabochon

Dial

With applied indexes and 12 crystal stones



Diameter 39 mm

Thickness 9 mm



Movement

Miyota 1L45



Water Resistant

5 ATM



Strap

Padded leather with croco pattern, 18/16 mm

Buckle

Stainless steel with tongue



SH0758BKLBK

Dalia

QUARZO DONNA
LADY QUARTZ



SH0794BKS



SH0794SLS



SH0795SLS



SH0794CES



SH0794RSS

Cassa: acciaio finitura lucida e spazzolata - **Impermeabilità:** 10 ATM
Vetro: minerale con lente - **Corona:** acciaio - **Fondello:** acciaio a vite
Diametro cassa: 32,5 mm - **Spessore:** 12 mm
Movimento: Miyota 2115 - **Quadrante:** cristalli applicati
Bracciale: acciaio, jubilee, 18/16 mm, finitura lucida e spazzolata
Fibbia: acciaio, deployante

Case: stainless steel with polished and brushed finishing - **Water resistant:** 10 ATM
Glass: mineral with lens - **Crown:** stainless steel - **Caseback:** screw type stainless steel
Case diameter: 32,5 mm - **Thickness:** 12 mm
Movement: Miyota 2115 - **Dial:** with applied crystals
Bracelet: stainless steel, jubilee, 18/16 mm, with polished and brushed finishing
Buckle: stainless steel, deployante

Discovery Lady

Disponibile anche nella versione "Gent", Ø 42,5 mm (vedi Discovery)
Also available in "Gent" version, Ø 42,5 mm (see Discovery)

QUARZO DONNA
LADY QUARTZ



SH0465IVL03



SH0465IVL02



SH0465WHLRD

Cassa: acciaio, finitura lucida - **Impermeabilità:** 5 ATM
Vetro: minerale - **Corona:** acciaio - **Fondello:** acciaio a vite
Diametro cassa: 35 mm - **Spessore Cassa:** 9,5 mm - **Movimento:** Miyota GM10
Cinturino: pelle stampa cocco, 18/16 mm - **Fibbia:** acciaio con ardiglione

*Case: stainless steel with polished finishing - Water resistant: 5 ATM
Glass: mineral - Crown: stainless steel - Caseback: screw type stainless steel
Case diameter: 35 mm - Case thickness: 9,5 mm - Movement: Miyota GM10
Strap: leather with croco pattern, 18/16 mm - Buckle: stainless steel with tongue*

Emily

QUARZO DONNA *LADY QUARTZ*

metallo

metal

Cassa: metallo con cristalli · **Movimento:** TMI PC21
Funzioni: ore, minuti, secondi · **Vetro:** minerale
Bracciale: metallo con cristalli · **Fondello:** a pressione in acciaio
Dimensioni cassa: 23 x 27 mm · **Spessore Cassa:** 7,5 mm

Case: alloy with crystals stone · *Movement:* TMI PC21
Functions: hours, minutes, seconds · *Glass:* mineral
Braceòet: alloy with crystals stones · *Caseback:* snap type, stainless steel
Case dimensions: 23 x 27 mm · *Case thickness:* 7,5 mm



AH0559GDS



AH0559SLS



AH0559GDS

Etno-Rock

QUARZO DONNA
LADY QUARTZ

Cassa: metallo - **Movimento:** TMI PC21 - **Vetro:** minerale
Cinturino: pelle con borchie in acciaio, 8 mm - **Fondello:** a pressione in acciaio
Dimensione cassa: 20 x 33,5 mm - **Spessore Cassa:** 8,5 mm

Case: metal - Movement: TMI PC21 - Glass: mineral
Strap: leather with stainless steel studs, 8 mm - Caseback: snap type, stainless steel
Case dimensions: 20 x 33,5 mm - Case thickness: 8,5 mm



AH0508SLLWH



AH0508SLLWH

Gemma

Quarzo Donna
Lady Quartz

Cassa: metallo con cristalli - **Impermeabilità:** 3 ATM
Vetro: minerale - **Corona:** acciaio - **Fondello:** acciaio a pressione
Diametro cassa: 23 mm - **Spessore Cassa:** 13,5 mm - **Movimento:** TMI PC21
Bracciale: metallo con charms - **Chiusura:** acciaio

Case: metal with crystals - **Water resistant:** 3 ATM
Glass: mineral - **Crown:** stainless steel - **Caseback:** snap type stainless steel
Case diameter: 23 mm - **Case thickness:** 13,5 mm - **Movement:** TMI PC21
Bracelet: metal with charms - **Buckle:** stainless steel



AH0552SLSYE



Giglio

QUARZO DONNA LADY QUARTZ



SH0742BKLBK



SH0743SLLBR



SH0742SLLWH

Cassa: acciaio finitura lucida - **Impermeabilità:** 5 ATM
Vetro: minerale - **Corona:** acciaio - **Fondello:** acciaio a pressione
Diametro cassa: 35 mm - **Spessore Cassa:** 10,6 mm - **Movimento:** Miyota 2035
Quadrante: incisione radiale e indici con 10 cristalli applicati
Cinturino: pelle, imbottito, stampa cocco, 18/16 mm - **Fibbia:** acciaio con ardiglione

***Case:** stainless steel with polished finishing - **Water resistant:** 5 ATM
Glass: mineral - **Crown:** stainless steel - **Caseback:** snap type stainless steel
Case diameter: 35 mm - **Case thickness:** 10,6 mm - **Movement:** Miyota 2035
Dial: radial engraving and indexes with 10 applied crystal stones
Strap: padded leather with croco pattern, 18/16 mm - **Buckle:** stainless steel with tongue*

Glam

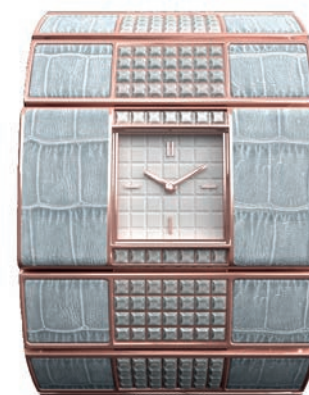
Quarzo Donna
Lady Quartz

Cassa: metallo con pelle e cristalli - **Movimento:** Miyota 5Y20 - **Vetro:** minerale
Cinturino: metallo con pelle e cristalli - **Fondello:** a pressione in acciaio
Larghezza bracciale: 40 mm - **Spessore Cassa:** 5 mm

Case: metal with leather and crystals - Movement: Miyota 5Y20 - Glass: mineral
Strap: metal with leather and crystals - Caseback: snap type, stainless steel
Bracelet width: 40 mm - Case thickness: 5 mm



AH0359WHS01



AH0360WHS03



SH0788SLS



SH0787SLS



SX0785SLLBK



SX0784SLLBL

Cassa: acciaio finitura lucida - **Impermeabilità:** 5 ATM
Vetro: minerale - **Corona:** acciaio - **Fondello:** acciaio a vite
Diametro cassa: 37 mm - **Spessore Cassa:** 10 mm
Movimento: TMI VH61 - **Quadrante:** due livelli, indici applicati
Cinturino: pelle, 18/16 mm, cuciture in tinta - **Bracciale:** acciaio, 18/16 mm
Fibbia: acciaio

***Case:** stainless steel with polished finishing - **Water resistant:** 5 ATM
Glass: mineral - **Crown:** stainless steel - **Caseback:** screw type stainless steel
Case diameter: 37 mm - **Case thickness:** 10 mm
Movement: TMI VH61 - **Dial:** two levels with applied indexes
Band: leather, 18/16 mm - **Bracelet:** stainless steel, 18/16 mm
Buckle: stainless steel*

Judy

QUARZO DONNA
LADY QUARTZ

Cassa: metallo e smalto - **Movimento:** TMI PC21 - **Vetro:** minerale
Cinturino: vernice pelle italiana, 24/22 mm - **Fondello:** a pressione in acciaio
Diametro Cassa: 30x34 mm - **Spessore Cassa:** 10,2 mm

*Case: metal - Movement: TMI PC21 - Glass: mineral
Strap: patent italian leather, 24/22 mm - Caseback: snap type, stainless steel
Case diameter: 30x34 mm - Case thickness: 10,2 mm*



AH0501SLL03



AH0501SLL06



AH0501SLL06

Kyoto

QUARZO DONNA LADY QUARTZ

acciaio

stainless steel

Cassa: acciaio · **Movimento:** Miyota 2115

Funzioni: ore, minuti, secondi, datario

Vetro: minerale · **Cinturino:** pelle, 30/24 mm · **Fondello:** a pressione in acciaio

Dimensioni cassa: 34 x 40 mm · **Spessore Cassa:** 9 mm

Case: stainless steel · **Movement:** Miyota 2115

Functions: hours, minutes, seconds, date window

Glass: mineral · **Strap:** leather, 30/24 mm · **Caseback:** snap type, stainless steel

Case dimensions: 34 x 40 mm · **Case thickness:** 9 mm



SH0395PRL01RS



SH0395PRL01RS

Lucrezia

QUARZO DONNA **LADY QUARTZ**

acciaio

stainless steel

Cassa: acciaio · **Movimento:** Miyota 2025 · **Funzioni:** ore, minuti
Vetro: minerale taglio diamante
Bracciale: acciaio con pietre Swarovski, 11 mm · **Fondello:** a pressione in acciaio
Dimensioni Cassa: 23 x 29,5 mm · **Spessore Cassa:** 8,5 mm

Case: stainless steel · **Movement:** Miyota 2025 · **Functions:** hours, minutes
Glass: diamond cut mineral
Bracelet: stainless steel with Swarovski stones, 11 mm · **Caseback:** snap type, stainless steel
Case dimensions: 23 x 29,5 mm · **Case thickness:** 8,5 mm



SH0314GES



SH0314CES



SH0314CES

Missy

QUARZO DONNA
LADY QUARTZ

Cassa: acciaio con pietre Swarovski - **Movimento:** Miyota GL30 - **Vetro:** minerale
Bracciale: acciaio, 4 mm - **Fondello:** a pressione in acciaio
Dimensione cassa: 26,5 x 34 mm - **Spessore Cassa:** 8,5 mm

*Case: stainless steel with Swarovski stones - Movement: Miyota GL30 - Glass: mineral
Bracelet: stainless steel, 4 mm - Caseback: snap type, stainless steel
Case dimensions: 26,5 x 34 mm - Case thickness: 8,5 mm*



SH0477PRS



SH0272RSS



SH0477PRS

Novara Lady

Also available in "Novara" version, Ø 43 mm (see Sintesi)

LADY QUARTZ



Case

Metal, polished finishing

Caseback

Screw type stainless steel

Glass

Mineral

Crown

Stainless steel

Dial

With printed indexes and guilloché finishing



Diameter 34.6 mm

Thickness 10.7 mm



Movement

Miyota GM10



Water Resistant

5 ATM



Bracelet

Stainless steel,
with polished and brushed
finishing, 18/16 mm

Buckle

Stainless steel, deployante



SH0808BKS



Cassa: metallo - **Movimento:** TMI PC21

Funzioni: ore, minuti, secondi - **Vetro:** minerale

Cinturino: gomma, 17,5/14 mm - **Fondello:** a pressione in acciaio

Dimensione cassa: 29,3 x 38,2 mm - **Spessore Cassa:** 10 mm

Case: metal - Movement: TMI PC21

Functions: hours, minutes, seconds - Glass: mineral

Strap: rubber, 17,5/14 mm - Caseback: snap type, stainless steel

Case dimensions: 29,3 x 38,2 mm - Case thickness: 10 mm



AH1483BKP

Parigi



Case
Metal IPS, polished finishing with crystals

Caseback
Stainless steel

Glass
Mineral

Crown
Stainless steel

Dial
Two levels with guilloché finishing



Diameter 38 mm
Thickness 9 mm



Movement
Miyota 2039



Water Resistant
5 ATM



Strap
Eco leather, 20/16 mm
Buckle
Stainless steel with tongue



AH0727SSLIV



AH0727SLLFX



AH0727SLLVL



AH0727SLLBK



LADY QUARTZ

Primavera

QUARZO DONNA
LADY QUARTZ

Cassa: metallo gommato - **Impermeabilità:** 5ATM - **Movimento:** Miyota 2025
Vetro: minerale - **Cinturino:** gomma, 20/18 mm - **Fondello:** a pressione in acciaio
Diametro cassa: 38 mm - **Spessore Cassa:** 10 mm

*Case: rubberized metal - Water resistant: 5ATM - Movement: Miyota 2025
Glass: mineral - Strap: rubber, 20/18 mm - Caseback: snap type, stainless steel
Case diameter: 38 mm - Case thickness: 10 mm*



AH0745CEP



AH0745CEP



AH0745FXP



AH0745ORP



AH0745YEP

Romance

QUARZO DONNA
LADY QUARTZ

Cassa: acciaio con cristallo - Movimento: Miyota 2035
Funzioni: ore, minuti, secondi - Vetro: minerale
Cinturino: pelle - Fondello: a pressione in acciaio
Dimensioni cassa: 36 x 44 mm - Spessore Cassa: 12 mm

Case: stainless steel with crystal - Movement: Miyota 2035
Functions: hours, minutes, seconds
Glass: mineral - Strap: leather - Caseback: snap type, stainless steel
Case dimensions: 36 x 44 mm - Case thickness: 12 mm



SH0427SLL



SH0427SLL



SH0425BKL



Samantha

LADY QUARTZ



Case
Metal, with IP black coating polished finishing
Caseback
Snap type, stainless steel
Glass
Mineral, diamond cut
Crown
Stainless steel



Diameter 20 x 23,5 mm
Thickness 9 mm



Movement
TMI PC21



Water Resistant
3 ATM



Strap
Metal, IP black coating, 15 mm
Buckle
Stainless steel, deployante



AH0483SLS



AH0483BKS



Siena

LADY QUARTZ



Case

Stainless steel with brushed and polished finishing

Caseback

Screw-type, stainless steel

Glass

Mineral with lens

Crown

Stainless steel



Diameter 36 mm

Thickness 10,5 mm



Movement

Miyota 2315



Water Resistant
5 ATM



Strap

Stainless steel, 18/16 mm, with polished and brushed finishing

Buckle

Stainless steel, deployante



SH0707WHS



Sintesi Lady

Also available in "Gent" version, Ø 40 mm (see Sintesi)

LADY QUARTZ



Case
Metal, polished finishing

Caseback
Snap type, stainless steel

Glass
Mineral

Crown
Stainless steel

Dial
WITH applied indexes



Diameter 36 mm
Thickness 7,9 mm



Movement
TMI PC20



Water Resistant
3 ATM



Strap
Eco leather, with S/S buckle with tongue, 18/16 mm

Bracelet
Stainless steel, Milanese mesh band, coulisse closure, 18 mm



AH0797SLS



AH0797SLLBK



AH0797BKS



AH0797BKLBK

Sunrise



Quarzo Donna
Lady Quartz

Cassa: metallo e smalto - **Movimento:** TMI PC21 - **Vetro:** minerale
Cinturino: vernice pelle italiana, 20/18 mm - **Fondello:** a pressione in acciaio
Diametro cassa: 38 mm - **Spessore Cassa:** 9,6 mm

*Case: metal and enamel - Movement: TMI PC21 - Glass: mineral
Strap: patent italian leather, 20/18 mm - Caseback: snap type, stainless steel
Case diameter: 38 mm - Case thickness: 9,6 mm*



AH0496SLL05



AH0497SLL03



Susan

QUARZO DONNA
LADY QUARTZ

Cassa: metallo - **Movimento:** TMI PC21 - **Vetro:** minerale
Cinturino: vernice pelle italiana, 26/22 mm - **Fondello:** a pressione in acciaio
Dimensione cassa: 34 x 42 mm - **Spessore Cassa:** 8,5 mm

*Case: metal - Movement: TMI PC21 - Glass: mineral
Strap: patent italian leather, 26/22 mm - Caseback: snap type, stainless steel
Case dimensions: 34 x 42 mm - Case thickness: 8,5 mm*



AH0500SLL05



AH0500SLL05

Twice

LADY QUARTZ



Case

Metal with polished finishing

Caseback

Snap-type, stainless steel

Glass

Mineral

Crown

Stainless steel

Dial

2 time zones



Diameter 23 x 48 mm

Thickness 8 mm



Movement

2 x TMI PC21



Water Resistant

5 ATM



Strap

Padded imitation leather
16/14 mm

Buckle

Stainless steel with tongue



AH0433SLLWH



AH0433SLLLI



Vieste

QUARZO DONNA
LADY QUARTZ



SH0707BKS



SH0707CES



SH0707RSS



SH0707SLS

Cassa: acciaio finitura lucida e spazzolata - **Impermeabilità:** 5 ATM
Vetro: minerale con lente - **Corona:** acciaio - **Fondello:** acciaio a vite
Diametro cassa: 36 mm - **Spessore Cassa:** 10,5 mm - **Movimento:** Miyota 2315
Bracciale: acciaio, 18/16 mm, finitura lucida e spazzolata
Fibbia: acciaio, deployante

Case: stainless steel with polished and brushed finishing - **Water resistant:** 5 ATM
Glass: mineral with lens - **Crown:** stainless steel - **Caseback:** screw type stainless steel
Case diameter: 36 mm - *Case thickness:* 10,5 mm - **Movement:** Miyota 2315
Bracelet: stainless steel, 18/16 mm, with polished and brushed finishing
Buckle: stainless steel, deployante

Volterra 36



Case

Stainless steel,
IP Rose Gold,
with polished finishing

Caseback

Snap type stainless steel

Glass

Mineral

Crown

Stainless steel

Dial

With applied indexes



Diameter 36 mm
Thickness 5,5 mm



Movement
Miyota GL20



Water Resistant
3 ATM



Strap

Padded leather with S/S
buckle with tongue,
18/16 mm

NATO strap

Nylon, with S/S buckle
with tongue, 18 mm

Bracelet

Stainless steel,
Milanese mesh band,
coulisse closure, 18 mm



LADY QUARTZ

Wendy

QUARZO DONNA
LADY QUARTZ

Cassa: metallo - **Movimento:** TMI PC21 - **Vetro:** minerale taglio diamantato
Bracciale: metallo a vetro, 30 mm - **Fondello:** a pressione in acciaio
Diametro Cassa: 28x30 mm - **Spessore Cassa:** 9 mm

*Case: metal - Movement: TMI PC21 - Glass: diamond cut mineral
Bracelet: metal and glass, 30 mm - Caseback: snap type, stainless steel
Case diameter: 28x30 mm - Case thickness: 9 mm*



AH0554FXS



AH0553RSS



AH0553BLS



AH0553BKS



AH0554FXS



AH0553VLS



AH0553GES



AH0553RDS

Lecco

MECHANICAL



Case

Stainless steel,
polished and brushed
finishing

Caseback

Screw type, stainless steel
with glass window

Glass

Mineral

Crown

Stainless steel

Dial

with applied indexes



Diameter 39,5 mm

Thickness 11,5 mm



Movement

Miyota 8215, automatic
mechanical



Water Resistant

10 ATM



Bracelet

Solid stainless steel with
polished and brushed
finishing, 20/18 mm

Buckle

Stainless steel deployante



SH5710SLS



SH5710BKS

Lodi



Case

Stainless steel,
brushed and polished
finishing

Caseback

Screw type, stainless steel
with glass window

Glass

Mineral

Crown

Stainless steel

Dial

With applied indexes



Diameter 40 mm

Thickness 12 mm



Movement

Miyota 821A



Water Resistant
5 ATM



Strap

Padded leather, 22/18 mm

Buckle

Stainless steel with tongue



SH5682SLL



Matera

MECHANICAL



Case

Stainless steel with polished and brushed finishing

Caseback

Screw type, stainless steel with glass

Glass

Mineral

Crown

Stainless steel

Dial

Skeleton, two levels



Diameter 40,5 mm

Thickness 13,2 mm



Movement

Miyota 8N33



Water Resistant

5 ATM



Strap

Padded leather, 22/18 mm

Buckle

Stainless steel with tongue



SH5681SLL



Savona

MECHANICAL



Case

Stainless steel

Caseback

Screw type, stainless steel with glass window

Glass

Mineral domed

Crown

Stainless steel

Dial

Curved with applied indexes



Diameter 39 mm

Thickness 13,5 mm



Movement

TMI NH35, with date



Water Resistant

5 ATM



Strap

Padded leather with croco pattern, 20/18 mm

Buckle

Stainless steel with tongue



SH9674SLL



SH9674BKL



SH9674BLLDB



Tanaro

MECHANICAL



Case

Stainless steel, polished and brushed finishing with turnable stainless steel top ring with aluminium insert

Caseback

Screw type, stainless steel with glass window

Glass

Mineral

Crown

Stainless steel

Dial

with applied indexes with luminous



Diameter 40,5 mm

Thickness 12,2 mm



Movement

Miyota 8215, automatic mechanical



Water Resistant

10 ATM



Bracelet

Solid stainless steel with polished and brushed finishing, 20/18 mm

Buckle

Stainless steel deployante



SH5708BKSBK

Berna

MECHANICAL



Case

Stainless steel,
polished and brushed
finishing

Caseback

Screw type, stainless steel
with glass window

Glass

sapphire

Crown

Stainless steel

Dial

With applied indexes



Diameter 39,5 mm

Thickness 11,5 mm



Movement

SELLITA SW200



Water Resistant

10 ATM



Bracelet

Solid stainless steel with
polished and brushed
finishing, 20/18 mm

Buckle

Stainless steel, deployante



SC5709BKS



SC5709SLS

Como

QUARZO UOMO
GENT QUARTZ

Cassa: acciaio - **Impermeabilità:** 5ATM - **Movimento:** Ronda 704
Vetro: minerale - **Cinturino:** pelle, 20/18 mm - **Fondello:** a vite in acciaio
Diametro Cassa: 41 mm - **Spessore Cassa:** 9,5 mm

*Case: stainless steel - Water resistant: 5ATM - Movement: Ronda 704
Glass: mineral - Strap: leather, 20/18 mm - Caseback: screw type, stainless steel
Case diameter: 41 mm - Case thickness: 9,5 mm*



SC9009WHL02



SC9009WHL02



SC9008WHL02

Davos

SWISS MADE
COLLECTION 



SC5601BKL BK



SC5601IVLDB



SC5601SLLBK



Cassa: acciaio finitura lucida e spazzolata - **Impermeabilità:** 5 ATM
Vetro: minerale - **Quadrante:** con indici applicati - **Corona:** acciaio
Fondello: acciaio a vite - **Diametro cassa:** 43 mm - **Spessore Cassa:** 13,5 mm
Movimento: Ronda 705 - **Cinturino:** pelle, imbottito, 22/20 mm
Fibbia: acciaio con ardiglione

Case: stainless steel with polished and brushed finishing - *Water resistant:* 5 ATM
Glass: mineral - *Dial:* with applied indexes - *Crown:* stainless steel
Caseback: screw type stainless steel - *Case diameter:* 43 mm - *Case thickness:* 13,5 mm
Movement: Ronda 705 - *Strap:* padded leather, 22/20 mm
Buckle: stainless steel with tongue



Locarno

Also available in "Lady" version, Ø 34 mm (see Rosa)

GENT QUARTZ



Case

Stainless steel,
polished finishing

Caseback

Stainless steel

Glass

Mineral domed

Crown

Stainless steel

Dial

Guilloché finishing
with applied indexes



Diameter 42 mm
Thickness 12 mm



Movement
ETA 902.101



Water Resistant
5 ATM



Strap
Padded leather, 22/20 mm
Buckle
Stainless steel with tongue



SC5671SLLBK



SC5672SLLBK



Reno

MECHANICAL



Case

Stainless steel, polished and brushed finishing with turnable stainless steel top ring with aluminium insert

Caseback

Screw type, stainless steel with glass window

Glass

Sapphire

Crown

Stainless steel

Dial

Matt finishing with brushed applied indexes with luminous



Diameter 40,5 mm

Thickness 12,2 mm



Movement

SELLITA SW330



Water Resistant

10 ATM



Bracelet

Solid stainless steel with polished and brushed finishing, 20/18 mm



SC5707BKSBK



SC5707BKSRB

Rodano

QUARZO UOMO
GENT QUARTZ

Cassa: acciaio - **Impermeabilità:** 5ATM - **Movimento:** Ronda 705
Vetro: minerale - **Cinturino:** pelle, 22/20 mm - **Fondello:** a vite in acciaio
Diametro cassa: 43 mm - **Spessore Cassa:** 13,5 mm

*Case: stainless steel - Water resistant: 5ATM - Movement: Ronda 705
Glass: mineral - Strap: leather, 22/20 mm - Caseback: screw type, stainless steel
Case diameter: 43 mm - Case thickness: 13,5 mm*



SC9622BKL



SC9622WHL



SC9622BKL

Rosa

Also available in "Gent" version, Ø 43 mm (see Locarno)

LADY QUARTZ



Case

Stainless steel, IPRose,
polished finishing

Caseback

Stainless steel

Glass

Mineral, domed

Crown

Stainless steel, IPRose

Dial

Guilloché pattern with
applied indexes



Diameter 34 mm

Thickness 10,5 mm



Movement

ETA 902.101



Water Resistant

5 ATM



Strap

Leather, saffiano texture,
with S/S buckle with tongue,
16/14 mm

Bracelet

Stainless steel,
Milanese mesh band,
coulisse closure, 16/16 mm



SC0798SLS



SC0799SLS



SC0798SLLRD



SC0799SLLIV

Tirreno

SWISS MADE 
COLLECTION



TC9049WHS



TC9049BKS



Cassa: titanio, ghiera girevole in titanio - **Impermeabilità:** 10 ATM - **Vetro:** zaffiro
Corona: titanio - **Pulsanti:** titanio - **Fondello:** titanio a vite, con vetro
Diametro cassa: 43 mm - **Spessore Cassa:** 16 mm - **Movimento:** ETA Valjoux 7750
Bracciale: titanio, 22/20 mm - **Fibbia:** titanio, deployante

Case: titanium with titanium turnable ring - **Water resistant:** 10 ATM - **Glass:** sapphire
Crown: titanium - **Puschers:** titanium - **Caseback:** screw type, titanium with glass window
Case diameter: 43 mm - **Case thickness:** 16 mm - **Movement:** ETA Valjoux 7750
Bracelet: titanium, 22/20 mm - **Buckle:** stainless steel, deployante

Zurigo

QUARZO UOMO
GENT QUARTZ

Cassa: acciaio - **Impermeabilità:** 5ATM - **Movimento:** Ronda 715.1.005
Vetro: minerale - **Cinturino:** pelle, 22/20 mm - **Fondello:** a vite in acciaio
Diametro Cassa: 42,5 mm - **Spessore Cassa:** 12 mm

*Case: stainless steel - Water resistant: 5ATM - Movement: Ronda 715.1.005
Glass: mineral - Strap: leather, 22/20 mm - Caseback: screw type, stainless steel
Case diameter: 42,5 mm - Case thickness: 12 mm*



SC9210ILL03



SC9210ILL03



SC9210BKL

Lario

GENT QUARTZ



Case
Metal with polished finishing
Caseback
Snap type metal
Glass
Mineral
Crown
Stainless steel



Diameter 42 mm
Thickness 13,6 mm



Movement
Epson 42VXE



Water Resistant
3 ATM



Chain
Stainless steel with polished finishing



CUSTOMIZABLE CASEBACK



AH5670BK



AH5670SL



AH5670RD



AH5670BL



AH5670GE

Napoleone

QUARZO UOMO
GENT QUARTZ



AH9658WH



Cassa: metallo - **Impermeabilità:** 3 ATM
Vetro: plastica - **Corona:** acciaio - **Fondello:** metallo a pressione
Diametro cassa: 47 mm - **Spessore Cassa:** 15 mm - **Movimento:** TMI PC21
Catena: metallo

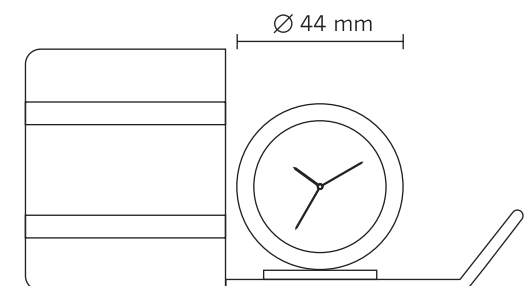
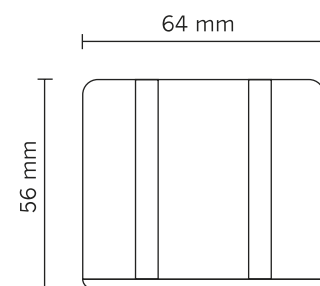
*Case: metal - Water resistant: 3 ATM
Glass: plastic - Crown: stainless steel - Caseback: snap type, metal
Case diameter: 47 mm - Case thickness: 15 mm - Movement: TMI PC21
Chain: metal*

Cassa: ottone · **Movimento:** movimento con sveglia
Funzioni: ore, minuti, secondi, sveglia · **Vetro:** minerale
Diametro cassa: 44 mm · **Spessore Cassa:** 17 mm
Custodia: pelle

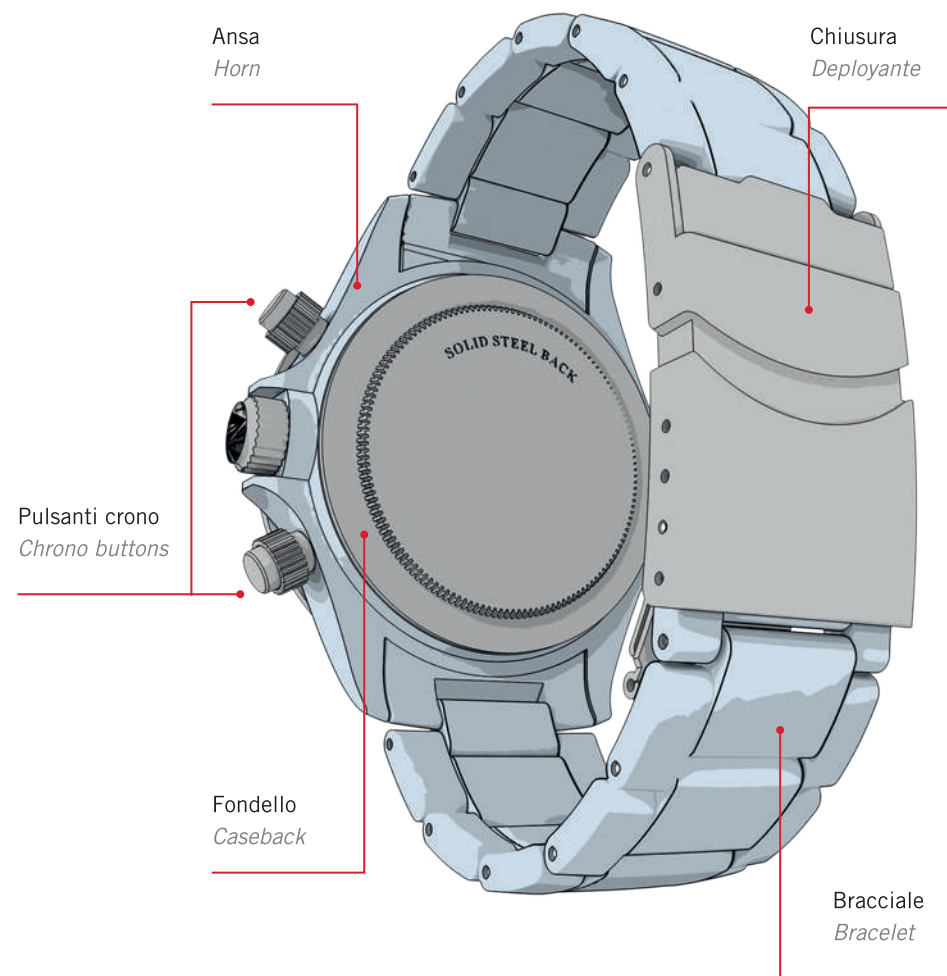
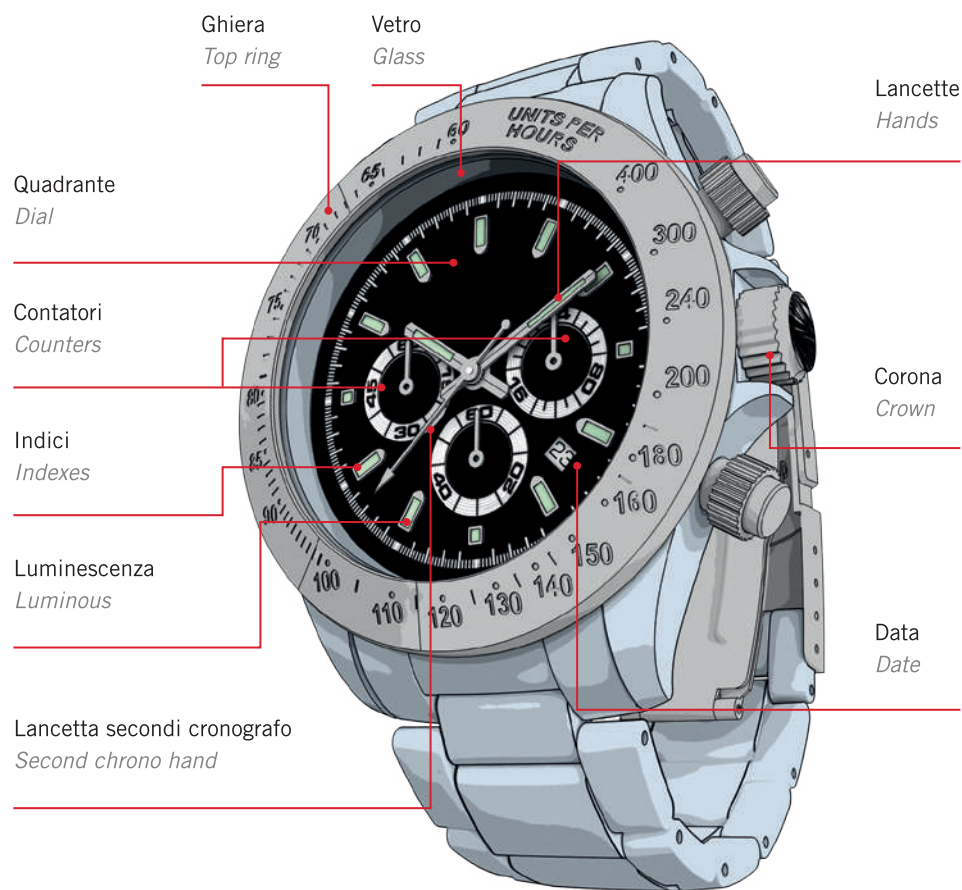
Case: brass · **Movement:** movement with alarm
Functions: hours, minutes, seconds, alarm · **Glass:** mineral
Case diameter: 44 mm · **Case thickness:** 17 mm
Pouch: leather



BH9499WH



Caratteristiche tecniche *Technical features*



Sono qui indicate le principali parti e funzioni dell'orologio per aiutare la lettura delle schede dei modelli raccolti nel catalogo.

Here we show the principal parts and features of the watch to help the reading of the items' schedules in the catalogue.

Personalizzazioni *Personalizations*

L'orologio visto non solo come oggetto di moda ma anche come veicolo pubblicitario, promozionale o di semplice regalo.

Per ogni modello presentato in questo catalogo, realizziamo eleganti ed originali personalizzazioni, numerazioni progressive per serie limitate, inserimento del logo coordinato all'estetica del quadrante e personalizzazioni delle confezioni.

In questa scheda vengono illustrate alcune possibili soluzioni per personalizzare l'orologio scelto.

The watch isn't only a fashion accessory but also an advertising medium or a nice gift.

For each item shown in this catalogue, we can make elegant and original personalizations printing logos on the dial, put progressive numeration for limited editions and we personalize the packaging.

In this page we illustrate some possible ways to personalize your watch.



Personalizzazione **QUADRANTE**
DIAL personalization

Stampe a 1 o più colori; possibilità di stampare a tutto quadrante.

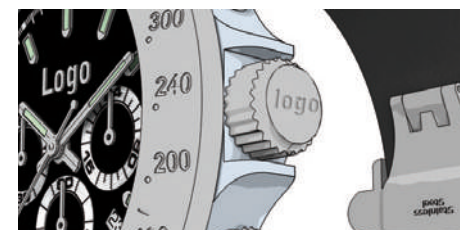
Prints with 1 or more colours; possibility to print overall the dial.



Personalizzazione **FONDELLO**
CASEBACK personalization

Incisioni di loghi, diciture personalizzate per anniversari o eventi, numerazioni progressive per serie limitate.

Engraving of logos, original writing for anniversaries, progressive numeration for limited editions.



Personalizzazione **CORONA**
CROWN personalization



Personalizzazione **LATO CASSA**
CASE'S SIDE personalization

Personalizzazione **FIBBIA**
BUCKLE personalization

Personalizzazione **CINTURINO**
STRAP personalization



Dimensioni: 90mm x 90mm; H93mm - **Materiale:** cartone
Dimension: 90mm x 90mm; H93mm - Material: cardboard

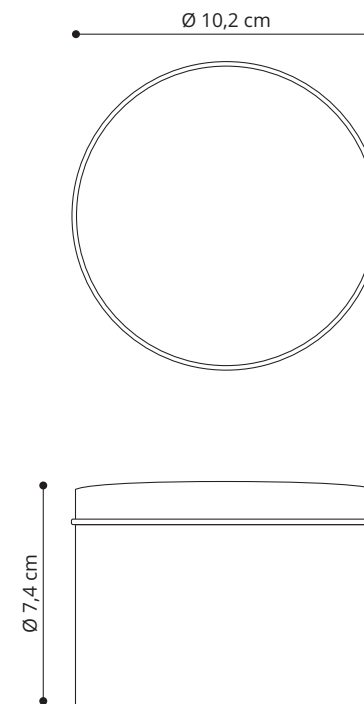
Cilindrica

Dimensioni: 102 x 102 mm; H 74 mm - **Materiale:** Metallo

Dimension: 102 x 102 mm; H 74 mm - **Material:** Metal



BLA08

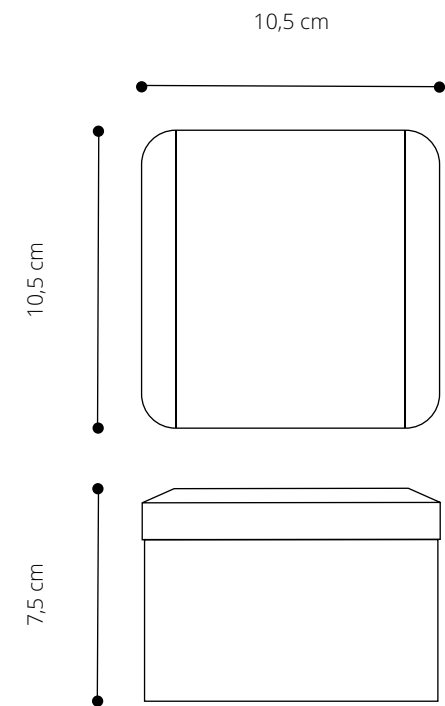


Cubica

Dimensioni: 105 x 105 mm; H 67 mm - **Materiale:** Metallo
Dimension: 105 x 105 mm; H 67 mm - **Material:** Metal



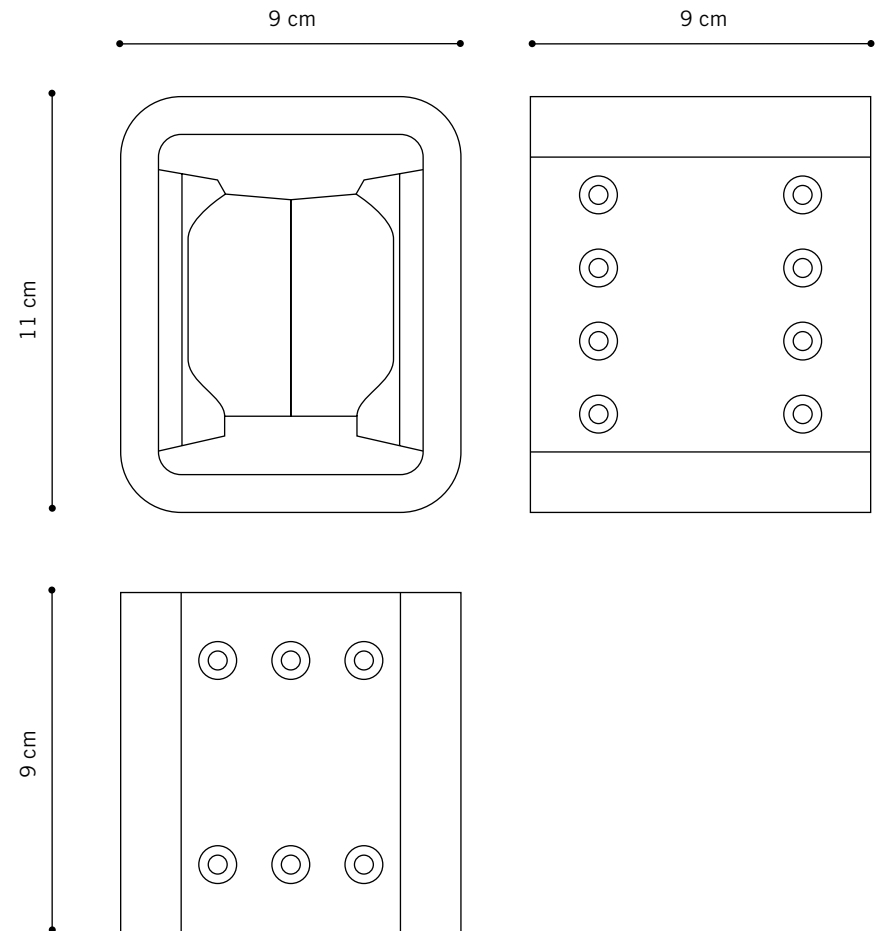
BLA07



Frame

ASTUCCI - ESPOSITORI
PACKAGING - DISPLAY

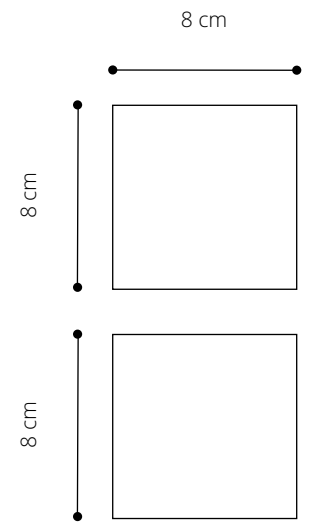
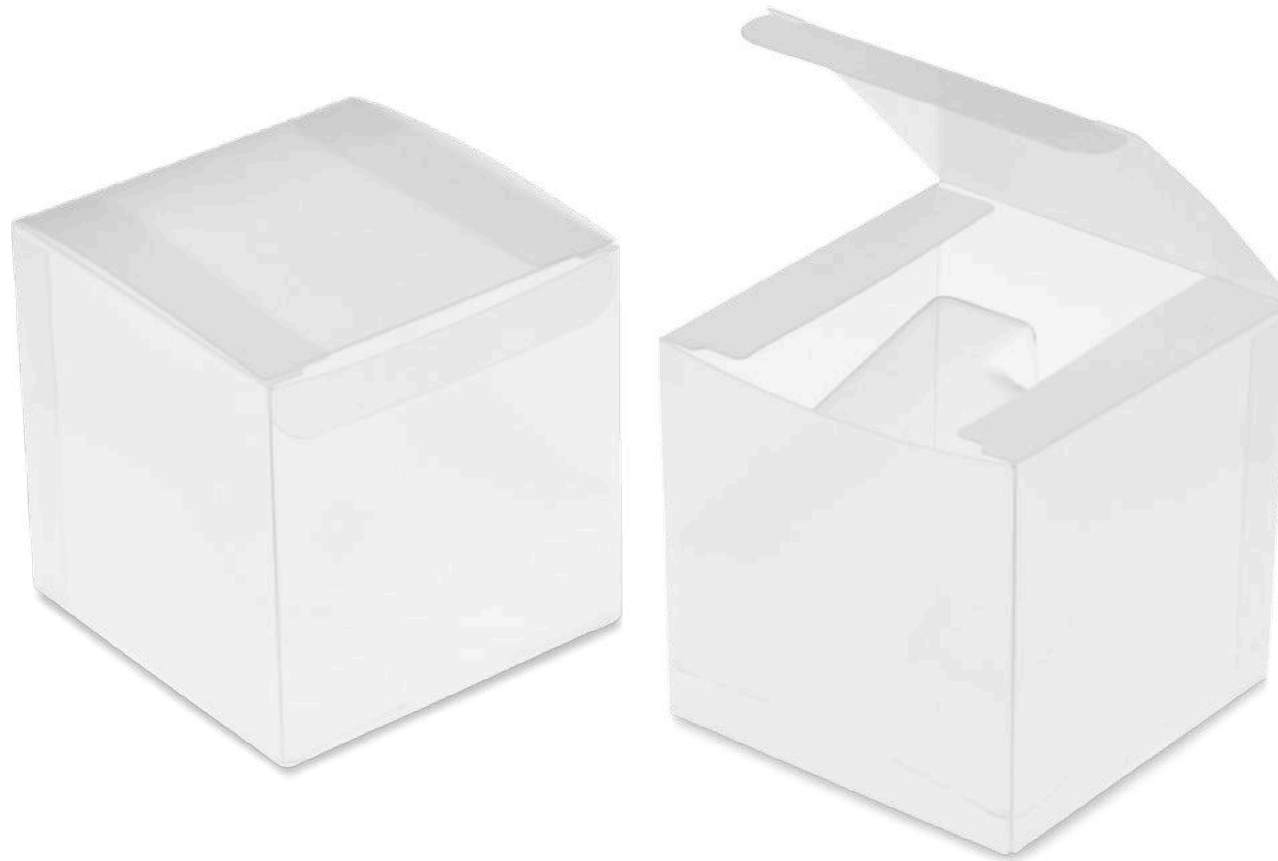
Colore: trasparente e nero lucido - **Materiale:** plastica
Color: transparent and shiny black - Material: plastic



FRAME

Ghost

Dimensioni: 80mm x 80mm; H80mm - **Materiale:** Plastica trasparente
Dimension: 80mm x 80mm; H80mm - Material: Transparent plastic



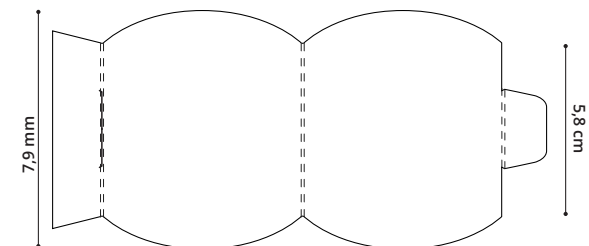
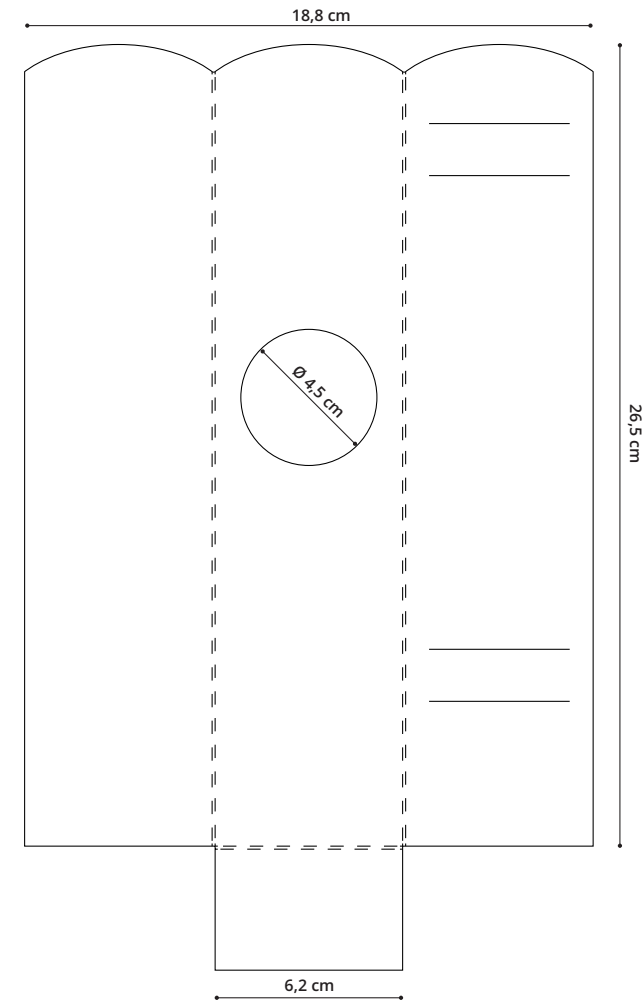
BP08

Leporello

Colore: grigio - Materiale: Cartoncino
Color: grey - Material: Paper



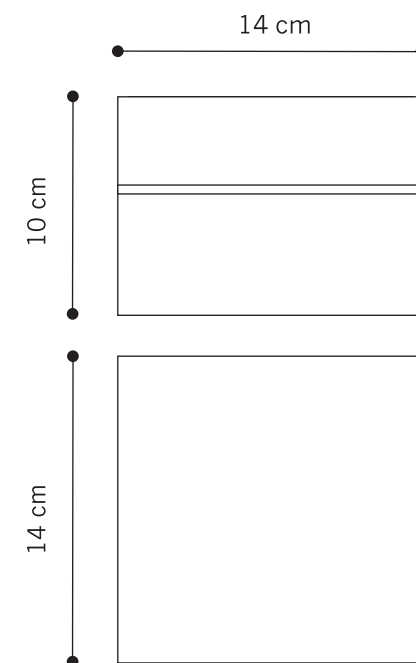
LEPORELLO



Lusso

Dimensioni: 140 x 140 mm; H 100 mm - **Materiale:** Legno

Dimension: 140 x 140 mm; H 100 mm - **Material:** Wood

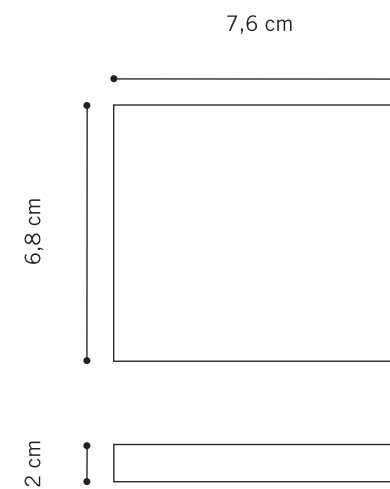


PBL02LM

Mini PBP01SM

ASTUCCI - ESPOSITORI
PACKAGING - DISPLAY

Colore: trasparente - **Materiale:** PET
Color: transparent - Material: PET



PBP01SM

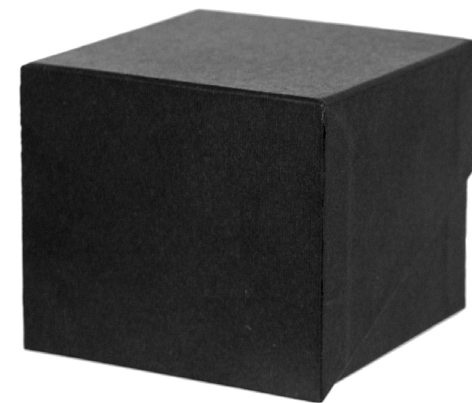
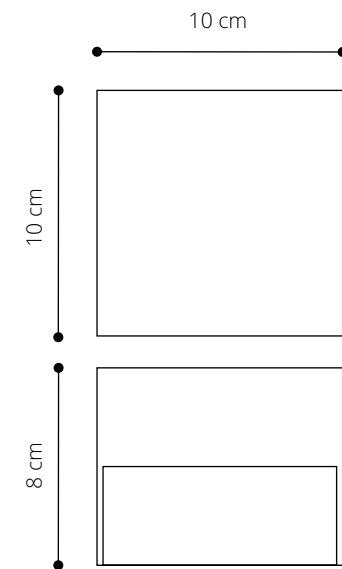
Origami

Dimensioni: 100mm x 100mm; H80mm - **Materiale:** Cartoncino

Dimension: 100mm x 100mm; H80mm - *Material:* Paper



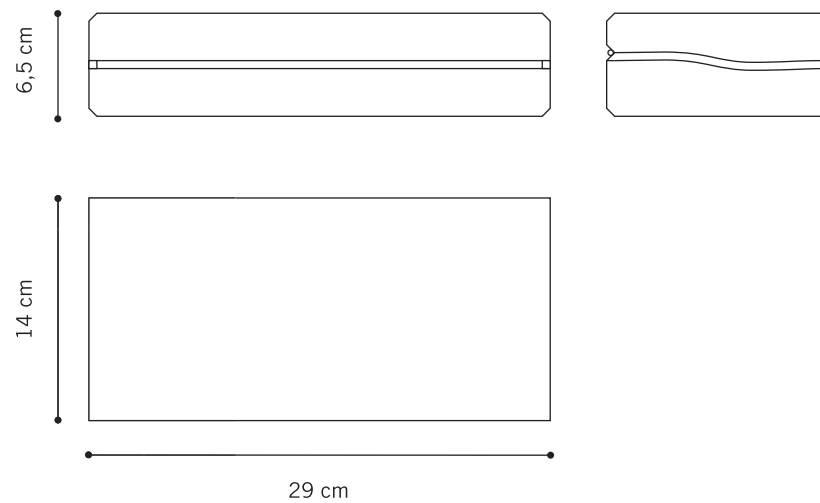
PBC02LM



Prince PBL02LE

ASTUCCI - ESPOSITORI
PACKAGING - DISPLAY

Colore: nero - **Materiale:** legno
Color: black - Material: wood

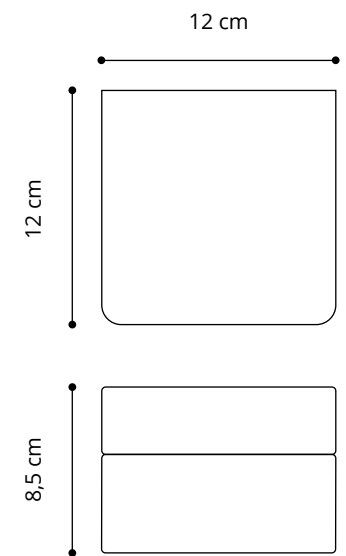


PBL02LE

Scrigno AQ08 white | AQ08B black

Dimensioni: 120mm x 120mm; H85mm - **Materiale:** PU

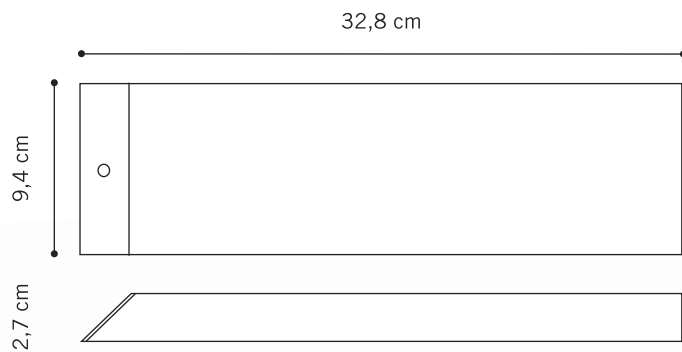
Dimension: 120mm x 120mm; H85mm - *Material:* PU



Set

ASTUCCI - ESPOSITORI
PACKAGING - DISPLAY

Colore: nero - **Materiale:** cartoncino
Color: black - Material: paper



SET



Orologio + secondo cinturino
Watch + second strap

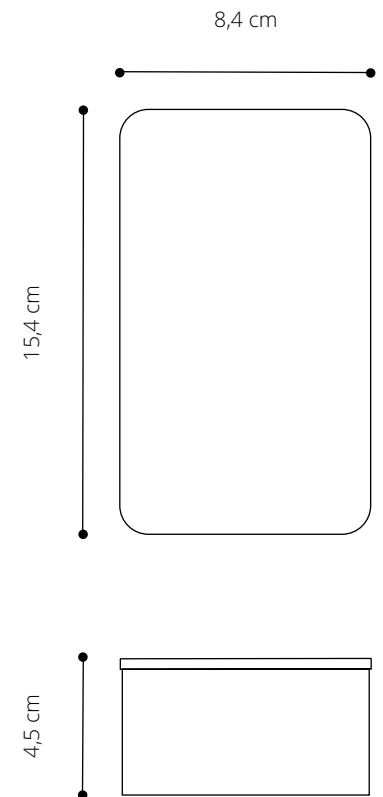


Coppia di orologi
Pair watches

Sliding

Dimensioni: 154 mm x 84 mm; H 45 mm - **Materiale:** Metallo

Dimension: 154 mm x 84 mm; H 45 mm - Material: Metal



PBM08SM

Cristallo



ESP012

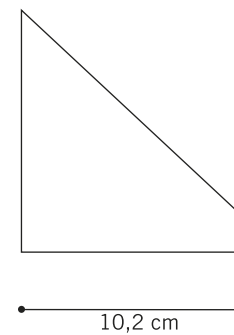
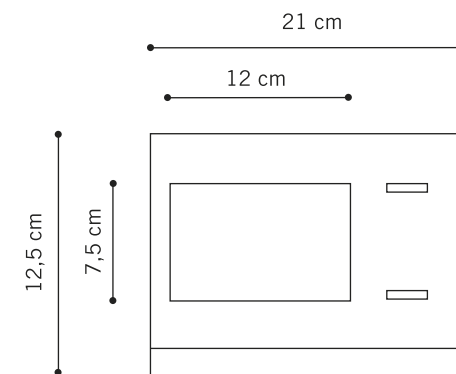


Dimensioni: 270mm x 340mm; H420mm - **Materiale:** policarbonato
Dimension: 270mm x 340mm; H420mm - Material: polycarbonate

Fold ESP005

ASTUCCI - ESPOSITORI
PACKAGING - DISPLAY

Colore: nero - **Materiale:** policarbonato con tasca trasparente per personalizzazione
Color: black - Material: polycarbonate with transparent pocket for personalization



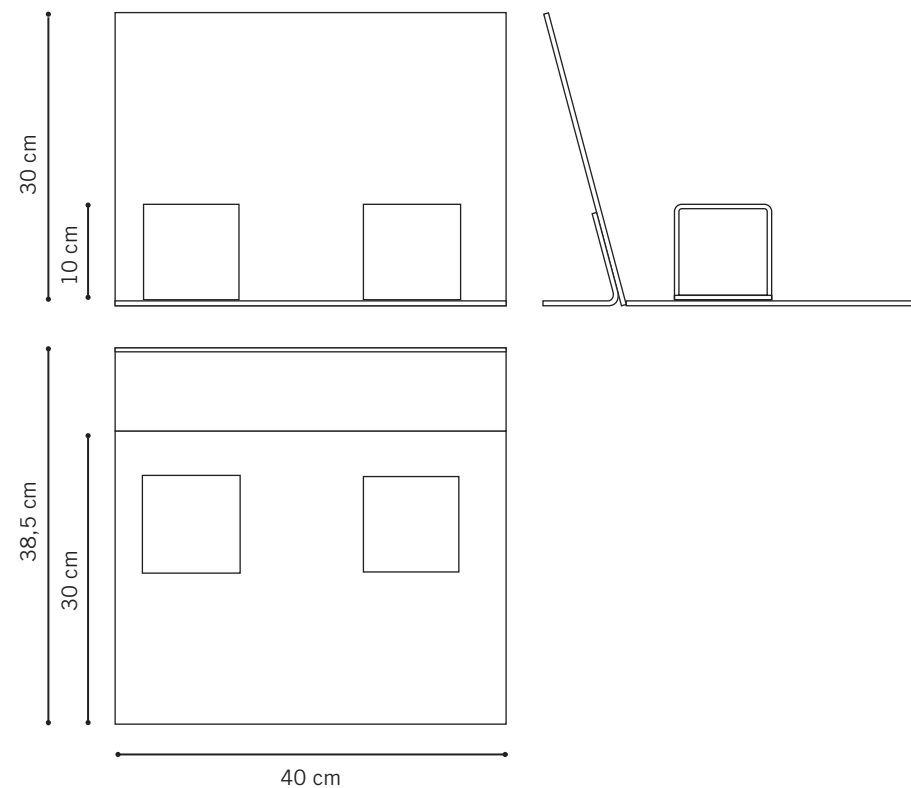
ESP005

Opera ESP011

ASTUCCI - ESPOSITORI
PACKAGING - DISPLAY

Colore: nero lucido - **Materiale:** policarbonato ed ecopelle

Color: black matt - Material: enameled wood and imitation leather

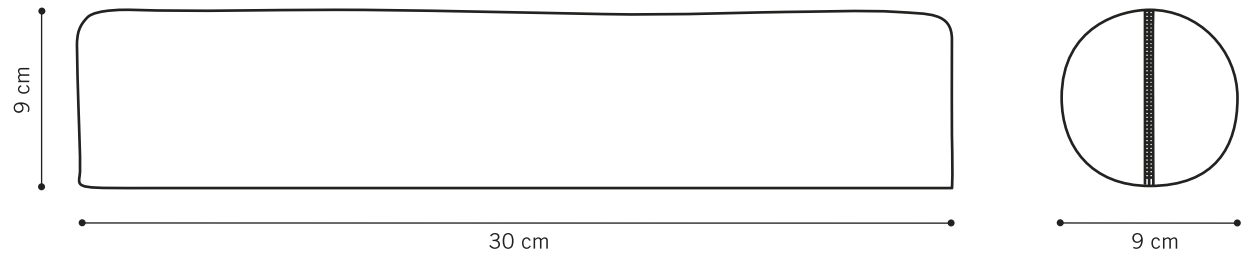


ESP011

Pod PANNITUBO

ASTUCCI - ESPOSITORI
PACKAGING - DISPLAY

Colore: nero - Materiale: ecopelle
Color: black - Material: imitation leather



PANNITUBO

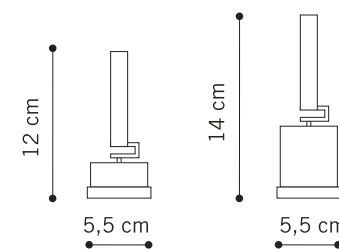
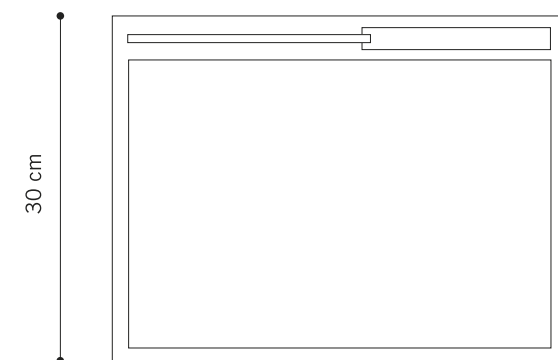
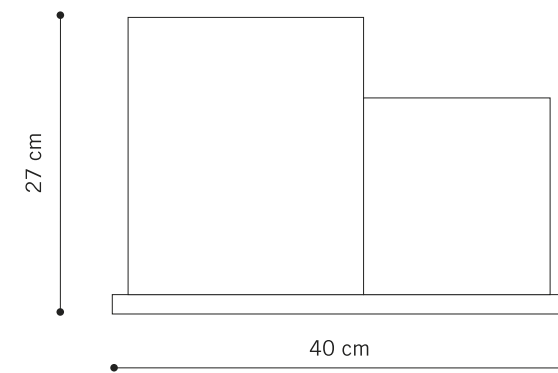
Stage ESP004

ASTUCCI - ESPOSITORI
PACKAGING - DISPLAY

Colore: bianco e nero - **Materiale:** Legno laccato e EVA
Color: black and white - Material: enameled wood and EVA



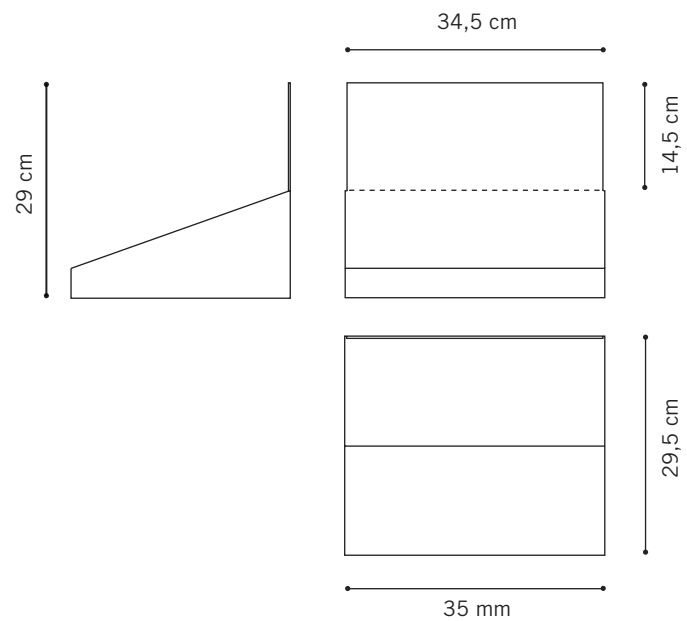
ESP004



Mondiali ESP008

ASTUCCI - ESPOSITORI
PACKAGING - DISPLAY

Colore: verde - Materiale: cartone
Color: green - Material: paper



ESP013